

ALNOR® LOFLO BALOMETER® CAPTURE HOOD

OWNER'S MANUAL

P/N 116620001, REV 09
FEBRUARY 2016



LIMITATION OF WARRANTY AND LIABILITY

(effective February 2015)

(For country-specific terms and conditions outside of the USA, please visit www.tsi.com.)

Seller warrants the goods, excluding software, sold hereunder, under normal use and service as described in the operator's manual, to be free from defects in workmanship and material for **24 months**, or if less, the length of time specified in the operator's manual, from the date of shipment to the customer. This warranty period is inclusive of any statutory warranty. This limited warranty is subject to the following exclusions and exceptions:

- a. Hot-wire or hot-film sensors used with research anemometers, and certain other components when indicated in specifications, are warranted for 90 days from the date of shipment;
- b. Pumps are warranted for hours of operation as set forth in product or operator's manuals;
- c. Parts repaired or replaced as a result of repair services are warranted to be free from defects in workmanship and material, under normal use, for 90 days from the date of shipment;
- d. Seller does not provide any warranty on finished goods manufactured by others or on any fuses, batteries or other consumable materials. Only the original manufacturer's warranty applies;
- e. This warranty does not cover calibration requirements, and seller warrants only that the instrument or product is properly calibrated at the time of its manufacture. Instruments returned for calibration are not covered by this warranty;
- f. This warranty is **VOID** if the instrument is opened by anyone other than a factory authorized service center with the one exception where requirements set forth in the manual allow an operator to replace consumables or perform recommended cleaning;
- g. This warranty is **VOID** if the product has been misused, neglected, subjected to accidental or intentional damage, or is not properly installed, maintained, or cleaned according to the requirements of the manual.
- h. Unless specifically authorized in a separate writing by Seller, Seller makes no warranty with respect to, and shall have no liability in connection with, goods which are incorporated into other products or equipment, or which are modified by any person other than Seller.

The foregoing is **IN LIEU OF** all other warranties and is subject to the **LIMITATIONS** stated herein. **NO OTHER EXPRESS OR IMPLIED WARRANTY OF FITNESS FOR PARTICULAR PURPOSE OR MERCHANTABILITY IS MADE. WITH RESPECT TO SELLER'S BREACH OF THE IMPLIED WARRANTY AGAINST INFRINGEMENT, SAID WARRANTY IS LIMITED TO CLAIMS OF DIRECT INFRINGEMENT AND EXCLUDES CLAIMS OF CONTRIBUTORY OR INDUCED INFRINGEMENTS. BUYER'S EXCLUSIVE REMEDY SHALL BE THE RETURN OF THE PURCHASE PRICE DISCOUNTED FOR REASONABLE WEAR AND TEAR OR AT**

SELLER'S OPTION REPLACEMENT OF THE GOODS WITH NON-INFRINGEMENTS GOODS.

TO THE EXTENT PERMITTED BY LAW, THE EXCLUSIVE REMEDY OF THE USER OR BUYER, AND THE LIMIT OF SELLER'S LIABILITY FOR ANY AND ALL LOSSES, INJURIES, OR DAMAGES CONCERNING THE GOODS (INCLUDING CLAIMS BASED ON CONTRACT, NEGLIGENCE, TORT, STRICT LIABILITY OR OTHERWISE) SHALL BE THE RETURN OF GOODS TO SELLER AND THE REFUND OF THE PURCHASE PRICE, OR, AT THE OPTION OF SELLER, THE REPAIR OR REPLACEMENT OF THE GOODS. IN THE CASE OF SOFTWARE, SELLER WILL REPAIR OR REPLACE DEFECTIVE SOFTWARE OR IF UNABLE TO DO SO, WILL REFUND THE PURCHASE PRICE OF THE SOFTWARE. IN NO EVENT SHALL SELLER BE LIABLE FOR LOST PROFITS, BUSINESS INTERRUPTION, OR ANY SPECIAL, INDIRECT, CONSEQUENTIAL OR INCIDENTAL DAMAGES. SELLER SHALL NOT BE RESPONSIBLE FOR INSTALLATION, DISMANTLING OR REINSTALLATION COSTS OR CHARGES. No Action, regardless of form, may be brought against Seller more than 12 months after a cause of action has accrued. The goods returned under warranty to Seller's factory shall be at Buyer's risk of loss, and will be returned, if at all, at Seller's risk of loss.

Buyer and all users are deemed to have accepted this LIMITATION OF WARRANTY AND LIABILITY, which contains the complete and exclusive limited warranty of Seller. This LIMITATION OF WARRANTY AND LIABILITY may not be amended, modified or its terms waived, except by writing signed by an Officer of Seller.

Service Policy

Knowing that inoperative or defective instruments are as detrimental to TSI as they are to our customers, our service policy is designed to give prompt attention to any problems. If any malfunction is discovered, please contact your nearest sales office or representative, or call TSI's Customer Service department at 1-800-874-2811 (USA) or (651) 490-2811.

Trademarks

TSI[®], TSI logo, Alnor[®], and Balometer[®] are registered trademarks of TSI Incorporated.

START SEEING THE BENEFITS OF REGISTERING TODAY!

Thank you for your TSI instrument purchase. Occasionally, TSI releases information on software updates, product enhancements and new products. By registering your instrument, TSI will be able to send this important information to you.

<http://register.tsi.com>

As part of the registration process, you will be asked for your comments on TSI products and services. TSI's customer feedback program gives customers like you a way to tell us how we are doing.



UNDERSTANDING, ACCELERATED

TSI Incorporated - Visit our website **www.tsi.com** for more information.

USA	Tel: +1 800 874 2811	India	Tel: +91 80 67877200
UK	Tel: +44 149 4 459200	China	Tel: +86 10 8219 7688
France	Tel: +33 1 41 19 21 99	Singapore	Tel: +65 6595 6388
Germany	Tel: +49 241 523030		

©2015 TSI Incorporated

Printed in U.S.A.

TABLE OF CONTENTS

Section 1	General Description	1
Section 2	Theory of Operation	1
Section 3	Safety	2
Section 4	Instrument Setup and Storage	2
Section 5	About the Instrument Display	4
Section 6	Getting Started	5
Section 7	Detailed Operation	5
Section 8	Troubleshooting	8
Section 9	Maintenance	9
Section 10	Service Information	10
Appendix A	Correction Factors for Standard Flow Rate to Actual Flow Rate	11
Appendix B	Model 6200 LoFlo Balometer® Capture Hood Field Setting Instruction for User Programmable Correction Factors	12

SECTION 1

General Description

The Alnor® LoFlo Balometer® Capture Hood is a compact instrument that measures very low air flow rates in HVAC systems. It measures from 10 to 500 cfm (17 to 850 m³/h, 4.7 to 236 l/s). The LoFlo Balometer® Capture Hood displays standard air volume rate when placed at supply or return diffusers, registers, or grilles located on the ceiling, wall, or floor.

The LoFlo Balometer® Capture Hood has a vent mechanism which reduces the restriction of air flow caused by the instrument. This unique venting system (patent pending) allows the instrument to remain compact while still measuring a wide range

of volume rates. The LoFlo Balometer® Capture Hood should be used with the vents closed at lower volume rates, but higher volume rates should be measured with the vents open to minimize any resistance effects. A 2-point measurement may be taken to compensate for the resistance effect of the instrument at higher volume rates.

The LoFlo Balometer® Capture Hood is battery powered and may be used with or without optional hoods. It weighs just over 6 pounds with the 2' x 2' hood, helping to reduce worker fatigue.

SECTION 2

Theory of Operation: Capture Hoods and Thermo-anemometry Sensing

As air exits a diffuser, it is captured in the hood or base and directed over a manifold. The manifold averages the velocity pressure and directs air over the sensors. The velocity and temperature of the air passing through the manifold are sensed, using a constant temperature thermo-anemometer principle. The voltage output from the sensor is then calibrated for the entire volume rate passing through the LoFlo Balometer® Capture Hood.

All capture hoods are susceptible to “odd” air flow patterns. “Odd” could refer to any air flow pattern different from the pattern where it was calibrated. Substantial negative effects can be observed when using a large hood on a small diffuser. For

example, using a 2' x 2' hood on a 10" x 10" diffuser. This creates large recirculation regions on the sides of the fabric hood and causes an “odd” air flow pattern as it passes over the manifold. It is recommended to match the hood closely to the size of the diffuser.

➔ **NOTE:** *Throughout this manual, the units cfm, m³/h and l/s are used for simplicity. Note, however, that the LoFlo Balometer® Capture Hood actually reads in standard cubic feet per minute (scfm), standard cubic meters per hour (std. m³/h), or standard liters per second (std. l/s).*


SECTION 3

Safety

When using the LoFlo Balometer® Capture Hood to check air flow at ceiling diffusers, make certain that you can safely raise and hold the unit while making measurements. Be especially careful when working on a ladder.

Observe all necessary precautions so that the unit does not become caught in moving machinery or touch any exposed electrical wiring.

The LoFlo Balometer® Capture Hood is not designed for gas mixtures other than air. Use with corrosive or other dangerous or explosive gas mixtures is not recommended and is at the user's risk.

	CAUTION
	WHILE USING THE LOFLO BALOMETER® INSTRUMENT TO TEST AIR FLOW IN DUCTS, YOU MAY COME INTO CONTACT WITH OR BE EXPOSED TO DUST, POLLEN, MOLD, FUNGUS, OR OTHER AIRBORNE CONTAMINANTS. IF YOU ARE OR MAY BE SENSITIVE TO DUST, POLLEN, MOLD, FUNGUS, OR OTHER AIRBORNE CONTAMINANTS, ALWAYS USE AN APPROPRIATE MASK OR RESPIRATOR WHILE EMPLOYING THE LOFLO BALOMETER® INSTRUMENT.

SECTION 4

Instrument Setup and Storage

Hood Setup

1. Locate the four (4) aluminum channels for the hood and position them into a square with the foam facing up. Slide the "U" opening on the channel end (Fig. 1) and corner bracket toward the brass eyelets until you feel it latch.
2. Continue with the other two channels until you have a square frame that is locked tightly in all four corners.
3. Locate the hood for the frame size you have assembled.
4. Position a corner seam of the hood onto the corner of the frame. Stretch the nylon hood to an adjacent corner until the hood corner meets the frame corner.
5. Push the elastic cord into the channel along the side of the frame.
6. Repeat steps 4 and 5 until the hood assembly is complete and ready to mount onto the base.
7. Place hood on a table or clean floor with the base inside the opening. Pull the hood over

the base. Rotate the hood assembly until the metal cups are above the spring-loaded pins.

8. Locate the hood support rods. Extend the hood so it is taut and insert one support rod onto the spring-loaded pin closest to you.
9. Push the support rod down and insert the top end of the rod into the metal cup on the hood frame. Fig 1.
10. Install the rod on the opposite side then install the last two rods.

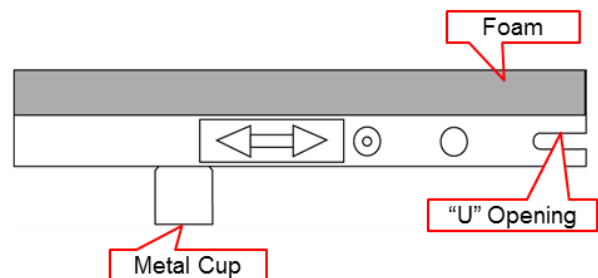


Figure 1
Hood Frame Channel

Instrument Storage

The hood and frame assemblies can be detached from the instrument base and placed inside their own carrying case without disassembly.

The LoFlo Balometer® Capture Hood should always be turned off before re-packing the instrument. If storing the LoFlo Balometer® Capture Hood for an extended period of time, remove the batteries to prevent damage due to leakage.

Battery Installation

To install the 4 C-size batteries that ship with the LoFlo Balometer® Capture Hood:

1. Make sure the LoFlo Balometer® Capture Hood switch is off.
2. Remove the battery cover located on top of the meter.
3. Slide the battery holder up until the snap connector is exposed.
4. Disconnect the battery holder from the LoFlo Balometer® Capture Hood.
5. Install the 4 C size batteries in the holder.
6. Reconnect the snap connector and slide the battery holder into the battery compartment.
7. Replace battery cover.

SECTION 5

About the Instrument Display

This display is an analog display, simulated with 26 LCD segments to give the user the response of a mechanical Balometer® Capture Hood. It also displays an exact digital number, using 3½ digit numeric section. The LCD has indicators for supply, return, manual range, vent modes, and low battery.

Figure 3 shows the front of the LoFlo Balometer® Capture Hood.

Index No.	Name
1	LCD
2	On/Off Switch
3	Supply/Return Button
4	Manual Range Button
5	Handle Button
6	Battery Holder
7	Vents
8	Vent Open/Close Slide

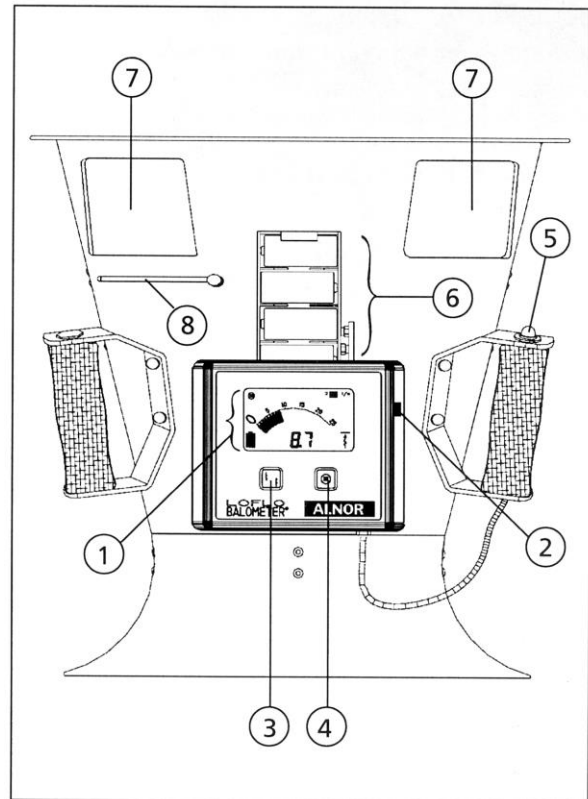


Figure 3
Front View of LoFlo Balometer® Capture Hood

Figure 4 shows the LCD.

Index No.	Name
1	Digital Readout
2	Simulated Analog Display
3	Manual Range Indicator
4	Supply/Return Indicator
5	2-Point Mode Indicator
6	Vent Indicator
7	Units Indicator
8	Low Battery Indicator

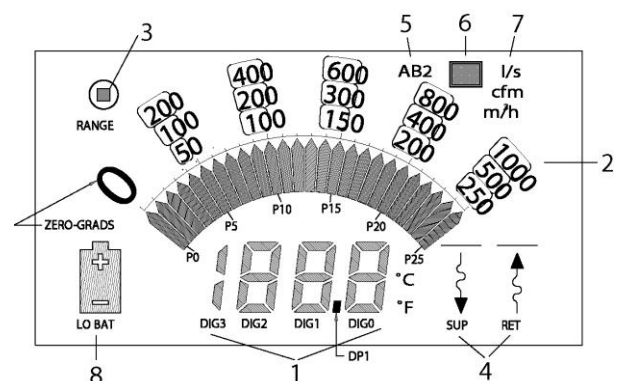


Figure 4
LoFlo Balometer® Capture Hood LCD

SECTION 6

Getting Started

- ➔ **NOTE:** *The instrument should be allowed to stabilize to room conditions in order to achieve specified accuracy.*
1. If you are using a hood with the unit, assemble the LoFlo Balometer® Capture Hood as described in Section 4, "[Instrument Setup and Storage](#)."
 2. Turn on the unit using the slide switch located on the right side of the meter.
 3. When turned on, the LoFlo Balometer® Capture Hood displays the vent closed indicator. Close the vent on the base by turning the top baffle counter clockwise.
 4. Select the proper mode for air flow direction, supply or return.
 5. Place the LoFlo Balometer® Capture Hood over the diffuser or grille to be measured.
 6. The auto range feature of the LoFlo Balometer® Capture Hood will choose the correct scale and display the volume rate in the digital readout section. A quick press on the handle switch will freeze the display.
 7. Another quick press will unfreeze the display.
 8. For volume rates above 150 cfm (255 m³/h, 71 l/s), it is recommended to use the vent open mode to minimize air flow resistance effects. See Section 7, "[Detailed Operation](#)."
- ➔ **NOTE:** *Make sure that there are no gaps between the LoFlo Balometer® Capture Hood and the surface around the diffuser or grille. Also, make sure that your body or other objects are not blocking or diverting the air flow where the air is exiting (supply) or entering (return). This will affect the reading.*

SECTION 7

Detailed Operation

Handle Button

In 1-point mode, the handle button will freeze the digital reading and flash the value when it is pressed for less than three seconds. When the handle button is pressed for more than three seconds, it switches the LoFlo Balometer® Capture Hood between vent closed mode and vent open mode.

In 2-point mode, the handle button cycles the instrument through the 2-point measurement process. See 2-point mode section for detail.

Auto/Manual Ranging Button

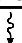

When turned on, the instrument is in auto-range mode. The user can switch to manual range mode by pressing the range button. The manual range indicator will show. By pressing the range button, the meter display switches to the next volume range. To return to auto-range mode, press and hold the range switch until the manual range indicator disappears.

Changing Measurement Units

To change measurement units:

1. Turn the instrument off.
2. Press and hold the supply/return button and switch the instrument on at the same time.
3. The display will flash one of the three available measurement units: cfm, m³/h, l/s.
4. Press and hold the supply/return button or the range button to scroll through the measurement units.
5. When the units you desire are displayed, switch the instrument off.
6. When you turn the instrument on again, your chosen units will be displayed.

Supply/Return Button


The LoFlo Balometer® Capture Hood is in supply mode when turned on. This is indicated on the display with the supply indicator . To take return air measurements, press the supply/return button on the front of the meter. Return air mode will be indicated on the display with the return indicator .




Significant errors may result if:

- Instrument is not in proper mode.
- Fabric hood is not used with vent open mode.

Vent Closed/Vent Open Modes

When the instrument is turned on, it is in the vent closed mode . When the vent closed indicator is on, the vents must be closed to take the measurement. Close the vents by loosening the thumbscrew and sliding the vent baffle to the fully closed position and locking the vent in place again.

The vent open mode is indicated with the vent open indicator on the LCD . Open the vents by loosening the thumb screw and sliding the vent baffle to the fully open position and locking it into place again. Then press and hold the handle switch for more than 3 seconds to switch the LoFlo Balometer® Capture Hood to the open vent mode.

The vent open mode was developed for higher volume rates on larger diffusers; the 2' x 2' or 650 mm x 650 mm hood should always be used with vent open mode.

1-Point Measurement Mode

The default mode of the LoFlo Balometer® Capture Hood is the 1-point measurement mode. If you are in 2-point measurement mode, simply turn the instrument off and turn back on.

The 1-point measurement mode is described in the [Getting Started](#) section earlier in this manual. This is the faster, simpler way to take measurements.

Use Vent Closed Mode for measurements between:

10 to 150 cfm (17 to 255 m³/h, 4.7 to 71 l/s).

➔ **NOTE:** *In Vent Closed Mode, volume rates below 8 cfm (13 m³/h, 3.6 l/s) are displayed as 0; volume rates above 517 cfm (879 m³/hr, 244 l/s) are displayed as Or.*

Use Vent Open Mode for measurements between:

150 to 500 cfm (255 to 850 m³/h, 71 to 236 l/s)

➔ **NOTE:** *In Vent Open Mode, volume rates below 150 cfm (255 m³/h, 71 l/s) are displayed as Ur; volume rates above 517 cfm (879 m³/h, 244 l/s) are displayed as Or.*

2-Point Measurement Mode—Supply Only

To activate the 2-point measurement mode, turn the instrument off. While pressing the handle button, turn the instrument back on. The 2-point mode indicator will show.

The 2-point measurement mode takes both vent open and vent closed measurements to calculate a resistance-compensated volume flow rate.

The process starts with the vents closed and the display showing the vent closed indicator.

1. Place the LoFlo Balometer® Capture Hood over the diffuser to be measured and press the handle switch once to take the vent closed measurement.
2. The instrument stores that reading.
3. The display will now show the open vent indicator and you should open the vents.

➔ **NOTE:** *Make certain you are using a fabric hood when in 2-point mode.*

4. Again place the LoFlo Balometer® Capture Hood over the diffuser to be measured and press the handle switch to take the vent open measurement.
5. The instrument calculates and displays the compensated reading.
6. The numeric display will flash; press the handle switch again and the instrument will display the vent closed indicator. Close the vents.
7. Return to Step 1 to take another resistance compensated reading.

➔ **NOTE:** *Return to 1-point measurement mode at any time by turning the power off and on.*

When “—” is displayed at the last step of the 2-point mode, the calculation for the resistance effect cannot be made. It can be caused by any of the conditions listed here.

Condition	Reason
The vent closed or vent open measurement is less than 150 cfm (70 l/s, 255 m ³ /h).	<ul style="list-style-type: none"> Calculations are not made at the low end since the effect is small and can generally be neglected. Use 1-point mode.
The vent closed or vent open measurement is greater than 500 cfm (235 l/s, 850 m ³ /h).	<ul style="list-style-type: none"> Calculations are not made beyond the calibrated range.
The vent open measurement minus the vent closed measurement is too small (< 0).	<ul style="list-style-type: none"> A mistake has occurred in the process. Repeat the two-point measurement. The resistance effect is small and was overwhelmed by natural fluctuations. Use single-point mode.
The vent open measurement minus the vent closed measurement is too large.	<ul style="list-style-type: none"> A mistake has occurred in the process. The vent may not have been open for the open vent measurement. Repeat the two-point measurement. The effect is beyond the range of the compensation equation. Perform a traverse of the system instead.

➔ **NOTE:** The display will also show “—” when the return mode is selected. The 2-point measurement mode is for supply only.

SECTION 8

Troubleshooting

Symptom	Possible Cause and Corrective Action
Meter does not turn on.	<ul style="list-style-type: none"> • Battery holder snap connector not connected. Connect battery holder to instrument. • Batteries may be discharged. Charge or replace them. • Switch failure, wiring failure, or circuit failure. Call TSI.
Meter reading lower than expected.	<ul style="list-style-type: none"> • Wrong vent mode chosen. Choose correct vent mode, open or closed. • Wrong air direction mode chosen. Choose correct direction, supply or return. • Back pressure effects could be significant. Use 2-point measurement mode. • Hood frame not sealing properly around diffuser or grill. Press hood evenly against diffuser. • Odd air flow pattern present. Perform traverse and use proportional balancing. • Hood torn. Replace, or repair tear with duct tape or other non-porous material. • Meter out of calibration. Call TSI. • Damage to manifold. Call TSI.
Meter reading higher than expected.	<ul style="list-style-type: none"> • Wrong vent mode chosen. Choose correct vent mode, open or closed. • Wrong air direction mode chosen. Choose correct direction, supply or return. • Odd air flow pattern present. Perform traverse and use proportional balancing. • Meter out of calibration. Call TSI.
Meter not at zero at zero flow.	<ul style="list-style-type: none"> • Instrument not at room temperature. Allow instrument to acclimate before turning on the power. • The LoFlo Balometer® Capture Hood is reading real room air currents. Place on floor with a piece of cardboard over the top to determine if it is measuring real air currents. • Meter out of calibration. Call TSI.
Meter displays Er.	<ul style="list-style-type: none"> • Self test failed. Call TSI.
Handle button not working.	<ul style="list-style-type: none"> • Call TSI.

SECTION 9

Maintenance

Hoods

Hoods may be cleaned in cool water with a mild detergent.

Sensing Manifold

The manifold should be checked visually before using to be certain that the sensing holes have not become clogged with dirt or dust particles. Do **not** immerse the manifold in water. It is recommended that cleaning be done with extreme care with the manifold in place. Do **not** use highly compressed air to clean the manifold tubes.

Calibration

It is recommended that your LoFlo Balometer[®] Capture Hood be returned to the factory once a year for a calibration check. When shipping the LoFlo Balometer[®] Capture Hood for factory calibration, pack it carefully, and follow the Instructions for Return in this manual.

Vent Operation

If the vent becomes difficult to operate, remove both thumbscrews from the vent mechanism and spray the contacting surfaces with silicone spray lubricant. Wipe off excess and reassemble vent mechanism.

Performance Check

If the calibration is to be checked, the best way is to use a reference flow standard more accurate than the LoFlo Balometer[®] Capture Hood. Flow standards that may be used for this purpose include orifice plates, venturis, nozzles, and laminar flow elements. These devices require accurate differential pressure, barometric pressure, and temperature reading instruments to measure either actual or standard volume rate.

If the LoFlo Balometer[®] Capture Hood is checked against a velocity instrument such as a pitot probe/manometer or thermo-anemometer, there may be errors. If a velocity standard is used, the average velocity must be obtained by taking a traverse.* The accuracy of the traverse is dependent on the flow uniformity, the number of readings taken, the accuracy of the velocity instrument, and operator expertise. This average velocity reading must then be multiplied by the area over which the traverse was taken.

Finally, air flow instrumentation is dependent on environmental conditions such as temperature, atmospheric pressure, humidity, and even turbulence. These conditions can have very different effects on various instrument types. Caution must be exercised when making comparisons.

**A traverse is a set of velocity readings taken in a prescribed pattern which will provide an overall velocity value when averaged together. Any of the Alnor velocity measuring instruments can be used for this purpose.*

SECTION 10

Service Information

Service and Repair

Please return your Product Registration Card immediately. This allows us to send you service reminders, special offers, and important information about your product.

Before sending your instrument for calibration or repair, you should call TSI Customer Service. The Service Department will provide you with the cost of service or calibration, Return Material Authorization (RMA) number, and shipping instructions.

Please have the following information available when you call:

- Owner's name, address, and phone number
- Billing address, if different and applicable
- Instrument name or model
- Serial number
- Date of purchase
- Where purchased

TSI recommends that you keep a "calibration log" and keep all records of service on your instrument.

Instructions for Return

Send the instrument prepaid. Securely package your instrument in a strong container surrounded by at least two inches (5 cm) of suitable shock-absorbing material. Include the Purchase Order showing instrument model number, cost of service and/or calibration, and the RMA number. Mark the outside of the shipping container with the RMA number. This will expedite processing of your instrument when we receive it.

Damaged in Transit

All orders are carefully packed for shipment. On receipt, if the shipping container appears to have been damaged during shipment, the instrument should be thoroughly inspected. The delivering carrier's papers should be signed noting the apparent damage. **DO NOT DISCARD THE BOX.**

If the instrument itself has been damaged, a claim should be promptly filed against the carrier by the customer. The selling agent will assist the customer by supplying all pertinent shipping information; however, the claim must be filed by the insured. If the instrument is damaged beyond use, a new order should be placed with TSI while awaiting reimbursement from the carrier for the damaged instrument.

Call TSI directly for assistance if necessary.

APPENDIX A

Correction Factors for Standard Flow Rate to Actual Flow Rate

The LoFlo Balometer® Capture Hood measures standard volumetric flow rate. Standard flow is defined as the flow rate at standard conditions, 70°F (21.1°C) and 14.7 psia (29.92 inHg, 760 mmHg). Actual flow rate is the true volumetric rate of air at the local temperature and barometric pressure. If you desire standard flow rate, use the displayed reading. However, if the actual flow rate is desired, use the information below.

To correct the standard flow rate to actual flow rate use the equation below.

$$V_{act} = V_{std} \times CF$$

V_{act} = Actual flow rate

V_{std} = Standard flow rate (this is displayed by the instrument)

T_{act} = Actual Temperature

ρ_{act} = Actual barometric pressure

ρ_{std} = Standard density 0.075 lb/ft³
(at 70°F and 14.7 psia)

ρ_a = Actual density in lb/ft³

$$CF = \rho_{std} / \rho_a \text{ (Correction Factor)}$$

Using the equations or chart below, you can bypass the full density calculation.

Calculations in imperial units

$$CF = (14.7 / \rho_{act}) * (460 + T_{act}) / 530$$

Where ρ_{act} is in psia and T_{act} is in °F

Calculations in imperial units

$$CF = (29.92 / \rho_{act}) * (460 + T_{act}) / 530$$

Where ρ_{act} is in inHg and T_{act} is in °F

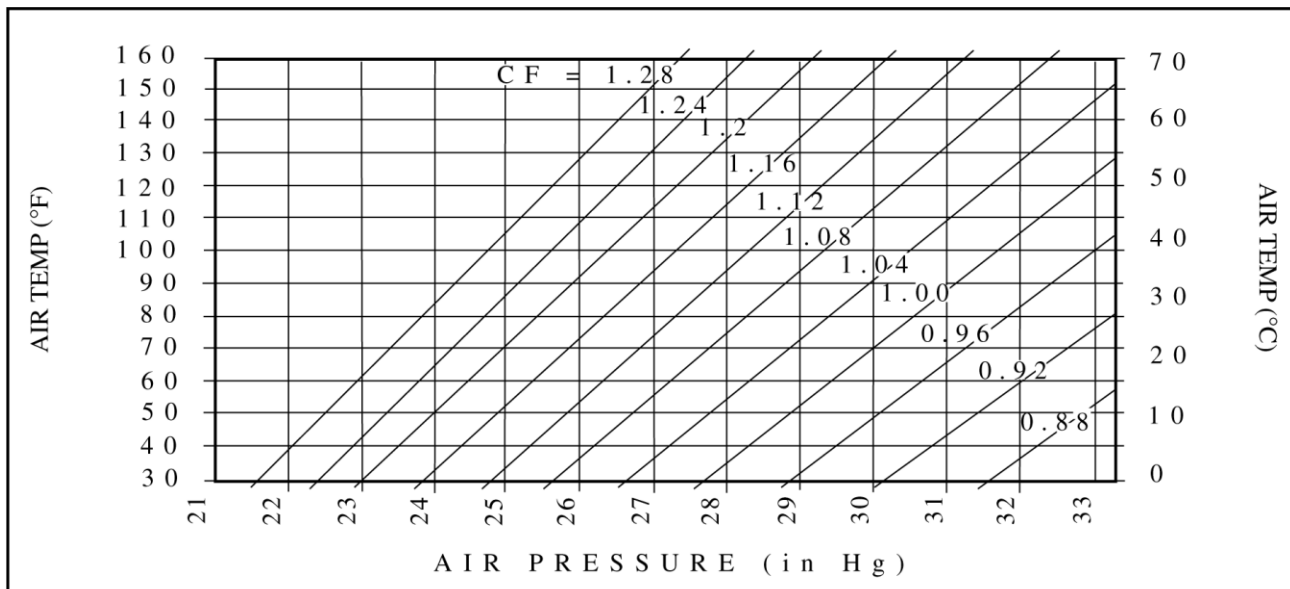
Calculations in metric units

$$CF = (760 / \rho_{act}) * (273.15 + T_{act}) / 294.25$$

Where ρ_{act} is in mmHg and T_{act} is in °C

For your convenience, we have made a chart for determining the correction factor given temperature and pressure.

➤ **NOTE:** The atmospheric pressure as reported by the National Weather Service is corrected to sea level and cannot be used if measurements are not at sea level.



APPENDIX B

Model 6200 LoFlo Balometer® Capture Hood Field Setting Instructions for User Programmable Correction Factors

HISTORY:

It is well known that capture hoods are susceptible to diffuser styles that are different from that upon which they were calibrated. Understanding that these productivity tools may require adjustment in the field, the LoFlo Balometer® Capture Hood is equipped with two separate sets of field programmable correction factors, “**FLD A**” and “**FLD B**”, that allow for a field calibration of the instrument to different diffusers.

DETERMINING FIELD PROGRAMMABLE CORRECTION FACTORS:

Correction factors are simply the relation between the actual volume flow rate and that which is displayed on the LoFlo Balometer® Capture Hood. The actual volume flow rate is most accurately established through performing a duct traverse. The correction factor is then determined as the ratio of the actual volume flow rate divided by the volume flow displayed on the LoFlo Balometer® Capture Hood set in the factory calibration setting (default from factory). The number obtained is used as the multiplier for that particular diffuser.

Example:

Duct Traverse yields **120 CFM**
LoFlo Balometer® Capture Hood in Supply Mode
with Vents Closed yields **107 CFM**
Correction Factor = **120/107 = 1.121**


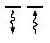
Because there are no decimal points available for the correction factor values, this number will be programmed into the LoFlo Balometer® unit as **1121**.

If all available operating modes of the LoFlo instrument are to be used, a separate multiplier must be determined for each mode. The four available modes are:

- Supply, Vent Closed (10-150 CFM)
- Supply, Vent Open (150-500 CFM)
- Return, Vent Closed (10-150 CFM)
- Return, Vent Open (150-500 CFM)

PROGRAMMING THE CORRECTION FACTORS TO THE INSTRUMENT:

Once the multipliers have been determined, the correction factors are programmed to the LoFlo instrument using the following steps:

1. Turn the instrument off.
2. Press and hold the range selector button  while simultaneously switching the instrument on. The display will show “**FAC**” with the seven segment characters, indicating the unit is in its default factory setting.
3. Use the supply/return button  to cycle through the available storage fields, “**FLD A**”, “**FLD B**” or “**FAC**”. Use the handle hold switch to select the desired field. If “**FLD A**” or “**FLD B**” are selected, the field letter chosen will be displayed at the upper right of the LCD throughout the programming cycle. **Note that the factory calibration setting, “FAC”, cannot be altered.**
4. Once the desired storage field has been selected, the unit will display the symbols for the Supply, Vent Closed mode, along with the current correction factor programmed for that mode. The factory default coefficient for each mode within both of the programmable storage fields is **1000** (recall that decimal points are not available, and thus the stored value of **1000** is actually **1.000**). Use the supply/return button to increase the coefficients value, or the range selector button to decrease the value as desired. When the correct multiplier is displayed, press the handle hold switch to store the value. The display will then cycle to the Supply, Vent Open mode (indicated by the appropriate symbols), again allowing for increasing/decreasing of the multiplier to the desired set-point as described above. This process will repeat for the remaining two operating modes (Return, Vent Closed; and Return, Vent Open).

5. Once a correction factor has been selected and stored for each of the four operating modes, the unit will proceed into operation using the programmed coefficients of the storage field that was selected. Once again, use of "**FLD A**" or "**FLD B**" will be indicated by the field letter chosen being displayed at the upper right of the LCD throughout the operating cycle. The selected storage field will remain as the start-up default setting unless changed by the user.
6. To return to the factory calibration setting, "**FAC**", press and hold the range selector button while simultaneously switching the instrument on. Select the "**FAC**" setting by depressing the handle hold switch. The factory calibration has just been restored as the default operating setting. Stored coefficients in "**FLD A**" and "**FLD B**" will remain for future use.

NOTES:

- Always use the factory calibration setting, "**FAC**", in determining the correction factors.
- Correction factors must be in the range of 0.250 to 1.999 (0250 to 1999 without the decimal point).
- Use of correction factors greater than 1.000 may cause the display to indicate a flow value at zero flow (typically 12-13 CFM at zero flow). This is normal and will limit the use of correction factors at the extreme low-end of the operating range.
- Do not use measurements which are less than 10 CFM * correction factor. For example, if you program a correction factor of 1.5, do not use measurements less than 15 CFM ($10 * 1.5 = 15$).

(This page intentionally left blank)

INDICE

Seccion 1	Descripción General	17
Seccion 2	Teoría de Operación	17
Seccion 3	Seguridad	18
Seccion 4	Montaje y Almacenamiento del Instrumento.....	18
Seccion 5	Visualización del Instrumento	20
Seccion 6	Comienzo.....	21
Seccion 7	Operación Detallada	21
Seccion 8	Resolución de Problemas.....	24
Seccion 9	Mantenimiento	25
Seccion 10	Información Sobre Servicio.....	26
Apéndice A	Factores de Ajuste para Nivel de Flujo Estándar a Nivel de Flujo Real	27

Especificaciones* Sobre El LoFlo Balometer®

Nivel de Volumen:	10–500 cfm o pies cúbicos por minuto (17–850 m ³ /h) (4,7–236 l/s)	Tamaños de las Cubiertas:	16 x 16 pulgadas, 2 x 2 pies, o 26 x 26 pulgadas (406 x 406 mm, 610 x 610 mm, o 650 x 650 mm)
Exactitud:	±(3% + 5 cfm) (±(3% + 8,5 m ³ /h, 2,4 l/s))	Visualización:	Dígitos 3,5. 0,44 pulgadas (11 mm) de alto, visualización digital con visualización analógica simulada de 26 segmentos
Altura:	15,5 pulgadas, base solamente (394 mm) 22 pulgadas, con cubierta 16 x 16 pulgadas (559 mm) 34,5 pulgadas, con cubierta 2 x 2 pies (876 mm)	Resolución:	1 cfm desde 10–500 cfm (Abastecimiento o Retorno) 0,1 l/s desde 4,7 a 9,9 1 l/s desde 10 a 236 l/s
Peso:	aproximadamente 6 libras (2,7 kg) con cubierta 4,6 libras (2,1 kg) base solamente	Fuente de Alimentación:	4 pilas alcalinas tamaño C de 1,5V (Níquel Cadmio opcional)
Diámetro de la Apertura de la Base:	13,3 pulgadas de diámetro (338 mm)	Vida Útil de las Pilas:	Mínimo de 10 horas de uso continuo

*Las especificaciones están sujetas a cambio sin previo aviso.

SECCION 1

Descripción General

El LoFlo Balometer® de Alnor es un instrumento compacto que mide niveles muy bajos de flujo de aire en sistemas HVAC. Puede medir valores de 10–500 cfm, (17–850 m³/h, 4,7–236 l/s). El LoFlo Balometer® visualiza un nivel de volumen de aire estándar cuando se sitúa en los difusores de abastecimiento o retorno, los registros o las rejillas ubicadas en techos, paredes o suelos.

El LoFlo Balometer® tiene un mecanismo de ventilación que reduce la restricción de flujo de aire causada por el instrumento. Este excepcional sistema de ventilación (con patente pendiente) permite al instrumento permanecer compacto cuando se encuentra en el proceso de medición de una gran cantidad de niveles de volumen. El

LoFlo Balometer® deberá tener los respiraderos cerrados cuando los niveles de volumen sean bajos pero, cuando sean más altos, los niveles de volumen deberán medirse con los respiraderos abiertos para así minimizar cualquier efecto de resistencia. Puede tomarse una medición de 2 puntos para compensar el efecto de resistencia del instrumento a niveles altos de volumen.

El LoFlo Balometer® funciona con pilas y puede utilizarse con o sin las cubiertas opcionales. El peso sobrepasa ligeramente las 6 libras con la cubierta de 2 x 2 pies, ayudando a reducir la fatiga del operario.

SECCION 2

Teoría de Operación: Cubiertas de Captura y Medición Termo-Anemométrica

Al salir el aire del difusor, el mismo queda capturado en la cubierta o en la base y se transporta hacia un distribuidor. El distribuidor regula la presión de velocidad y dirige el aire hacia los sensores. Entonces se mide la velocidad y la temperatura del aire a su paso por el distribuidor, utilizando un termo-anemómetro de temperatura constante. El voltaje de salida proveniente del sensor es entonces calibrado para el nivel de volumen total que pasa a través del LoFlo Balometer®.

Todas las cubiertas de captura son susceptibles a patrones de flujo de aire “extraños”. El término “extraño” puede referirse a cualquier patrón de flujo de aire que sea diferente del patrón donde fue calibrado. Podrían observarse efectos

negativos substanciales si se utiliza una cubierta grande en un difusor pequeño, por ejemplo, si se utiliza una cubierta de 2 x 2 pies en un difusor de 10 x 10 pulgadas. Esto crearía grandes regiones de recirculación en los lados de la cubierta de tela y podría ocasionar un patrón de flujo de aire “extraño” a su paso por el distribuidor. Se recomienda que los tamaños de la cubierta y del distribuidor correspondan entre sí.

➔ **NOTA:** Las unidades cfm, m³/h y l/s se usan en este manual por motivos de simplicidad. Observe, sin embargo, que el LoFlo Balometer® muestra las mediciones en pies cúbicos por minutos estándar (scfm), metros cúbicos por hora estándar (std. m³/h) o litros por segundo estándar (std. l/s).

SECCION 3

Seguridad

Cuando vaya a utilizar el LoFlo Balometer® para comprobar el flujo de aire en los difusores para techos, asegúrese de que pueda elevar y mantener fija la unidad mientras está haciendo las mediciones. Sea especialmente precavido cuando esté trabajando en una escalera.

Tome todas las precauciones necesarias de manera que la unidad no se quede atrapada al

mover maquinaria o que no toque ningún cable eléctrico que esté al descubierto.

El LoFlo Balometer® no está diseñado para ningún otro tipo de mezclas gaseosas que no sean aire. No se recomienda el uso de mezclas gaseosas corrosivas u otras que sean explosivas o peligrosas. De hacerlo así, las posibles consecuencias serán responsabilidad del usuario.



CAUTION

MIENTRAS USE EL INSTRUMENTO LOFLO BALOMETER® PARA PROBAR CAUDAL DE AIRE EN CONDUCTOS, PUEDE ESTAR EN CONTACTO O EXPUESTO A POLVO, POLEN, MOHO, HONGOS, U OTROS CONTAMINANTES TRANSPORTADOS POR EL AIRE. SI ERES ALERGICO AL POLVO, POLEN, MOHO, HONGOS O OTROS CONTAMINANTES, USE **SIEMPRE** UN RESPIRADOR O MASCARA APROPIADO MIENTRAS EMPLEA EL INSTRUMENTO.

SECCION 4

Montaje y Almacenamiento del Instrumento

1. Localice los cuatro (4) canales de aluminio para la cubierta y sitúelos dentro de un cuadrado con la espuma hacia arriba. Deslice la abertura en "U" en el extremo del canal (Fig. 1) y la repisa angular hacia los ojalos de chapa hasta que sienta que está asegurada.
2. Continúe con los otros dos canales hasta que tenga una estructura cuadrada fijada firmemente en las cuatro esquinas.
3. Localice la cubierta correspondiente al tamaño de la estructura que ha ensamblado.
4. Sitúe una junta angular de la cubierta en la esquina de la estructura. Estire la cubierta de nilón a una esquina adyacente hasta que la esquina de la cubierta encuentre a la esquina de la estructura.
5. Empuje el cordón elástico dentro del canal a lo largo del lado de la estructura.
6. Repita los pasos 4 y 5 hasta que se complete el ensamblaje de la cubierta y esté listo para montarlo sobre la base.
7. Sitúe la cubierta sobre una mesa o suelo limpios con la base en el interior de la
- abertura. Sitúe la cubierta sobre la base. Gire el ensamblaje de la cubierta hasta que las cubetas metálicas queden por encima de los pasadores de muelle.
8. Localice las varillas de soporte de la cubierta. Extienda la cubierta de manera que quede tensa e inserte una varilla de soporte en el pasador de muelle más cercano a usted.
9. Empuje la varilla de soporte hacia abajo e inserte el extremo superior de la varilla dentro de la cubeta metálica en la estructura de la cubierta. Fig.1.
10. Instale la varilla en el lado opuesto y, luego, instale las dos varillas restantes.

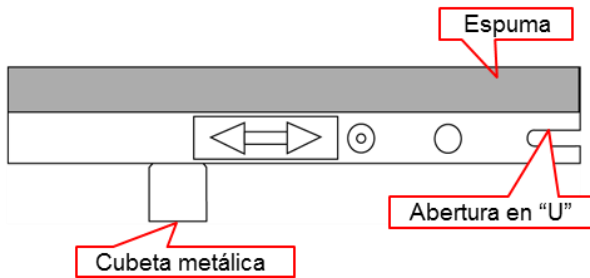


Figura 1
Canal de la estructura de la cubierta

Almacenamiento del Instrumento

Los montajes de la cubierta y de la estructura pueden retirarse de la base del instrumento y guardarse dentro de su estuche de transporte sin necesidad de ser desmontados.

El LoFlo Balometer® deberá estar siempre apagado antes de volverlo a empaquetar. Si se va a almacenar el LoFlo Balometer® por un período largo de tiempo, retire las pilas para evitar daños por fugas.

Instalación de las Pilas

Para instalar las 4 pilas tamaño C incluidas con el LoFlo Balometer®:

1. Asegúrese de que el interruptor del LoFlo Balometer® esté apagado.
2. Retire la tapa de las pilas ubicada encima del medidor.
3. Deslice el contenedor de las pilas hacia arriba hasta que el conector de ajuste rápido quede al descubierto.
4. Desconecte el contenedor de las pilas del LoFlo Balometer®.
5. Instale las 4 pilas tamaño C en el contenedor.
6. Vuelva a conectar el conector de ajuste rápido e introduzca el contenedor de las pilas en el compartimento de las pilas.
7. Vuelva a colocar la tapa de las pilas.

SECCION 5

Visualización del Instrumento

Este instrumento utiliza visualización analógica, simulada con 26 segmentos en Diodo de cristal líquido (LCD) para proporcionar al usuario la respuesta del balómetro mecánico. También visualiza un número digital exacto, utilizando una sección numérica digital de 3 +. El LCD dispone de indicadores para abastecimiento, retorno, nivel manual, modos de respiradero e indicador de pila baja.

La Figura 3 muestra la parte frontal del LoFlo Balometer®.

Indice No.	Nombre
1	Diodo de cristal líquido (LCD)
2	Interruptor de encendido/apagado (On/Off)
3	Botón de abastecimiento/retorno
4	Botón de nivel manual
5	Botón de la empuñadura
6	Contenedor de las pilas
7	Respiraderos
8	Corredera de apertura/cierre del respiradero

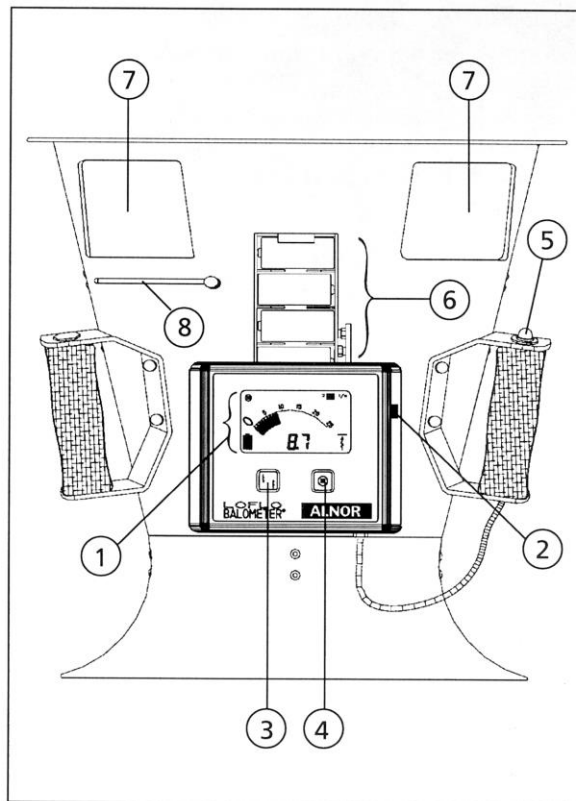


Figura 3
Vista frontal del LoFlo Balometer®

La Figura 4 muestra la pantalla LCD.

Indice No.	Nombre/Descripción
1	Lectura digital
2	Visualización analógica simulada
3	Indicador de nivel manual
4	Indicador de abastecimiento/retorno
5	Indicador de modo de 2 puntos
6	Indicador de respiradero
7	Indicador de unidades
8	Indicador de pila baja

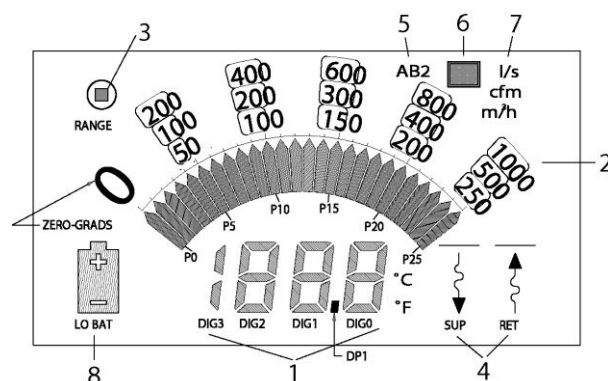


Figura 4
Pantalla LCD del LoFlo Balometer®

SECCION 6

Comienzo

- ➔ **NOTA:** *Deberá dejarse que el instrumento se estabilice a las condiciones ambientales normales para que pueda así alcanzar la exactitud especificada.*
1. Si está utilizando la cubierta con la unidad, monte el LoFlo Balometer® tal y como se describe en la Sección 4, *Montaje y almacenamiento del instrumento.*
 2. Encienda la unidad utilizando el interruptor corredizo ubicado en el lado derecho del medidor.
 3. Una vez encendido, el LoFlo Balometer® muestra el indicador de respiradero cerrado. Cierre el respiradero situado en la base girando la placa de desviación en el sentido de las agujas del reloj.
 4. Seleccione el modo apropiado para establecer la dirección, el abastecimiento o el retorno del flujo de aire.
 5. Sitúe el LoFlo Balometer® sobre el difusor o el enrejado que va a ser medido.
 6. La característica de auto nivel del LoFlo Balometer® elegirá la escala correcta y mostrará el nivel de volumen en la sección de lectura digital. Una simple presión en el interruptor de empuñadura hará que se congele la visualización.
 7. Otra simple presión activará de nuevo la visualización.
 8. Para niveles de volumen superiores a 150 cfm (255 m³/h, 71 l/s), se recomienda el uso del modo de respiradero abierto para así minimizar los efectos de resistencia del flujo de aire. Vea la Sección 7, [Operación detallada](#).
- ➔ **NOTA:** *Asegúrese de que no haya espacios vacíos entre el LoFlo Balometer® y la superficie que rodea al difusor o a la rejilla. Asimismo, asegúrese de que su cuerpo u otros objetos no estén bloqueando ni desviando el flujo de aire allá donde esté saliendo el aire (abastecimiento) o donde esté entrando (retorno). De ser así, la lectura podría verse afectada.*

SECCION 7

Operación Detallada

Botón de la Empuñadura

En el modo de 1 punto, el botón de la empuñadura hará que la lectura digital se congele y que destelle el valor cuando se le presiona durante menos de tres segundos. Cuando se presiona el botón por más de tres segundos, cambiará el LoFlo Balometer® entre el modo de respiradero cerrado y el modo de respiradero abierto.

En el modo de 2 puntos, el botón de la empuñadura lleva a cabo el ciclo del instrumento a través del proceso de medición de 2 puntos. Para información más detallada, vea la sección de modo de 2 puntos.

Botón de Nivelado Auto/Manual

Una vez encendido, el instrumento estará en el modo de selección de nivel automático. El usuario puede cambiar al modo de selección manual presionando el botón de nivel. Al hacerlo, aparecerá el indicador manual de nivel. Si se presiona el botón de nivel, la pantalla del medidor cambia al siguiente nivel de volumen. Para volver al modo automático, presione y mantenga presionado el botón de nivel hasta que desaparezca el indicador de nivel manual.

Cambio de las Unidades de Medición

Para cambiar las unidades de medición:

1. Apague el instrumento.

2. Presione y mantenga presionado el botón de abastecimiento/retorno y encienda el instrumento al mismo tiempo.
3. La pantalla destellará una de las tres unidades de medición disponibles: cfm, m³/h o l/s.
4. Presione y mantenga presionado el botón de abastecimiento/retorno o el botón de nivel para seleccionar las unidades de medición.
5. Cuando aparezcan en pantalla las unidades deseadas, apague el instrumento.
6. Cuando encienda el instrumento de nuevo, las unidades elegidas aparecerán en pantalla.

Botón de Abastecimiento/Retorno

El LoFlo Balometer® estará en el modo de abastecimiento cuando esté encendido. Esto se indica en la pantalla con el indicador . Para tomar mediciones de aire de retorno, presione el botón abastecimiento/retorno de la parte frontal del medidor. El modo de retorno de aire se indicará en la pantalla con el indicador .



Podrían obtenerse errores significativos si:

- El instrumento no está en el modo apropiado.
- La cubierta de tela no se usa con el modo de respiradero abierto.

Modos de Respiradero Abierto/Cerrado

Al encenderse, el instrumento estará en el modo de respiradero cerrado . Cuando el indicador de respiradero cerrado esté encendido, los respiraderos deberán estar cerrados para poder tomar las mediciones. Para cerrar los respiraderos, afloje el tornillo de orejetas y deslice el deflector del respiradero a su posición de completamente cerrado, y asegure de nuevo el respiradero en su lugar.

El modo de respiradero abierto se indica con el indicador correspondiente en el Diodo de cristal líquido (LCD) . Para abrir los respiraderos, afloje el tornillo de orejetas y deslice el deflector del respiradero a su posición de completamente abierto, y asegure de nuevo el respiradero en su lugar. Luego, presione y mantenga presionado el botón de la empuñadura durante más de 3

segundos para cambiar el LoFlo Balometer® al modo de respiradero abierto.

El modo de respiradero abierto fue diseñado para altos niveles de volumen en difusores grandes; deberán utilizarse siempre las cubiertas de 2 x 2 pies o de 650 x 650 mm cuando se use el modo de respiradero abierto.

Modo de Medición de 1 Punto

El modo preestablecido del LoFlo Balometer® es el modo de medición de 1 punto. Si se encuentra en el modo de medición de 2 puntos, simplemente apague y vuelva a encender el instrumento.

El modo de medición de 1 punto se describe en la sección *Comienzo* incluida en este manual. Esta es la forma más rápida y sencilla de tomar mediciones.

Utilice el modo de respiradero cerrado para mediciones entre los valores:

10–150 cfm (17–255 m³/h, 4,7–71 l/s).

- ➔ **NOTA:** En el Modo de respiradero cerrado, los niveles de volumen inferiores a 8 cfm (13 m³/h, 3,6 l/s) aparecen en pantalla como 0; los niveles de volumen superiores a 517 cfm (879 m³/h, 244 l/s) aparecen en pantalla como Or

Utilice el Modo de respiradero abierto para mediciones entre los valores:

150–500 cfm (255–850 m³/h, 71–236 l/s)

- ➔ **NOTA:** En el Modo de respiradero abierto, los niveles de volumen inferiores a 150 cfm (225 m³/h, 71 l/s) aparecen en pantalla como Ur; los niveles de volumen superiores a 517 cfm (879 m³/h, 244 l/s) aparecen en pantalla como Or;

Modo de Medición de 2 Puntos— Abastecimiento Solamente

Para activar el modo de medición de 2 puntos, apague el instrumento. Vuelva a encender el instrumento mientras presiona el botón de la empuñadura. Deberá aparecer el indicador de modo de 2 puntos.

El modo de medición de 2 puntos toma las mediciones con el respiradero abierto y cerrado para así poder calcular el nivel de volumen de flujo de resistencia compensada.

El proceso empieza con los respiraderos cerrados y con la pantalla mostrando el indicador de respiradero cerrado.

1. Ubique el LoFlo Balometer® sobre el difusor que va a medirse y presione el botón de la

- empuñadura una vez para tomar las mediciones con respiradero cerrado.
2. El instrumento almacena la lectura.
 3. La pantalla mostrará ahora el indicador de respiradero abierto y, por tanto, deberá abrir los respiraderos.
- ➔ **NOTA:** *Asegúrese de que esté utilizando una cubierta de tela cuando esté en el modo de 2 puntos.*
4. Ubique de nuevo el LoFlo Balometer® sobre el difusor a medir y presione el botón de empuñadura para tomar la medición con respiradero abierto.
 5. El instrumento calculará y mostrará la lectura compensada.
 6. El resultado numérico destellará en la pantalla; presione el botón de empuñadura de nuevo y el instrumento mostrará el indicador de respiradero cerrado. Cierre los respiraderos.
 7. Vuelva al paso 1 para tomar otra lectura de resistencia compensada.
- ➔ **NOTA:** *Vuelva al modo de medición de 1 punto en cualquier momento simplemente presionando el botón de encendido y apagado.*

Cuando “—” aparezca en pantalla en el último paso del modo de 2 puntos, no podrá realizarse el cómputo del efecto de resistencia. Esto podría ser a causa de cualquiera de las condiciones que se enumeran a continuación

Condición	Razón
La medición con respiradero abierto o cerrado es inferior a 150 cfm (70 l/s, 255 m ³ /h).	<ul style="list-style-type: none"> • Los cálculos no se hacen en el extremo inferior puesto que el efecto es pequeño y, generalmente, pueden ignorarse. Use el modo de 1 punto.
La medición con respiradero abierto o cerrado es superior a 500 cfm (235 l/s, 850 m ³ /h).	<ul style="list-style-type: none"> • Los cálculos no se hacen más allá del nivel calibrado. Utilice un balómetro estándar o eléctrico (Nivel de volumen: 50–200 cfm), o lleve a cabo una travesa del sistema.
El valor de la medición de respiradero abierto menos el valor de la medición de respiradero cerrado es demasiado pequeño (< 0).	<ul style="list-style-type: none"> • Se produjo un error durante el proceso. Repita la medición de 2 puntos. • El efecto de resistencia es pequeño y fue rebasado por las fluctuaciones naturales. Use el modo de 1 punto.
El valor de la medición de respiradero abierto menos el valor de la medición de respiradero cerrado es demasiado grande.	<ul style="list-style-type: none"> • Se produjo un error durante el proceso. El respiradero podría no haber estado abierto para la medición de respiradero abierto. Repita la medición de 2 puntos. • El efecto va más allá del nivel de la ecuación de compensación. Lleve a cabo una travesa del sistema.

- ➔ **NOTA:** *la pantalla también mostrará “—” cuando se seleccione el modo de retorno. El modo de medición de 2 puntos es para abastecimiento solamente.*

SECCION 8

Resolución de Problemas

Síntoma	Posible Causa y Acción Correctiva
El medidor no se enciende.	<ul style="list-style-type: none">• El conector de ajuste rápido del contenedor de las pilas no está conectado. Conecte el contenedor de las pilas al instrumento.• Las pilas podrían estar descargadas. Carguelas o reemplácelas.• Fallo del interruptor, fallo del cableado, o fallo del circuito. Llame a TSI.
La lectura del medidor es más baja de lo esperado.	<ul style="list-style-type: none">• Se ha elegido un modo de respiradero equivocado, abierto o cerrado.• Se ha elegido un modo de dirección del aire equivocado. Elija la dirección correcta, abastecimiento o retorno.• Los efectos de contrapresión podrían ser significativos. Utilice el modo de medición de 2 puntos.• La estructura de la cubierta no cierra correctamente alrededor del difusor o de la rejilla. Presione la cubierta de manera uniforme contra el difusor.• Se encuentra presente un patrón de flujo de aire irregular. Haga una travesa y utilice un balance proporcional.• La cubierta esta rasgada. Reemplácela, o repare el daño con cinta aislante u otro material no poroso.• El medidor necesita calibración. Llame a TSI.• Se ocasionaron daños al distribuidor. Llame a TSI.
La lectura del medidor es más alta de lo esperado.	<ul style="list-style-type: none">• Se ha elegido un modo de respiradero equivocado, abierto o cerrado.• Se ha elegido un modo de dirección del aire equivocado. Elija la dirección correcta, abastecimiento o retorno.• Se encuentra presente un patrón de flujo de aire irregular. Haga una travesa y utilice un balance proporcional.• El medidor necesita calibración. Llame a TSI.
El medidor no está a cero cuando hay flujo cero.	<ul style="list-style-type: none">• El instrumento no está a temperatura ambiente. Permita que se aclimate el instrumento antes de encenderlo.• El capo de captura LoFlo Balometer® está leyendo corrientes reales de aire de la sala. Sitúelo en el suelo con un pedazo de cartón en la parte superior para determinar si se están midiendo corrientes reales de aire.• El medidor necesita calibración. Llame a TSI.
El medidor muestra Er.	<ul style="list-style-type: none">• La autoverificación no ha funcionado. Llame a TSI.
El botón de la empuñadura no funciona.	<ul style="list-style-type: none">• Llame a TSI.

SECCION 9

Mantenimiento

Cubiertas

Las cubiertas deberán limpiarse en agua fría con un detergente suave.

Distribuidor Sensor

Deberá revisarse visualmente el distribuidor antes de su uso para asegurarse de que los agujeros sensores no se quedan atascados con partículas de suciedad o de polvo. NO sumerja el distribuidor en agua. Se recomienda que la limpieza se lleve a cabo con cuidado extremo y con el distribuidor en su lugar. **No** utilice aire muy comprimido para limpiar los tubos del distribuidor.

Calibración

Se recomienda devolver el LoFlo Balometer® a la fábrica una vez al año para una comprobación de la calibración. Embale el LoFlo Balometer® cuidadosamente cuando vaya a enviarlo para su calibración, y siga las instrucciones de devolución incluidas en este manual.

Operación del Respiradero

Si se dificulta la operación del respiradero, retire los tornillos de orejetas del mecanismo del respiradero y rocíe las superficies de contacto con lubricante de silicona. Limpie el exceso y vuelva a montar el mecanismo del respiradero.

Comprobación de Rendimiento

Si se va a comprobar la calibración, la mejor manera es usar un estándar de flujo de referencia más

preciso que el LoFlo Balometer®. Los estándares de flujo que pueden utilizarse para este propósito incluyen instrumentos como placas perforadas, tubos Venturi, boquillas y elementos de flujo laminar. Estos dispositivos requieren instrumentos precisos de lectura de presión diferencial, de presión barométrica y de temperatura para la medición de niveles de volumen estándar o reales.

Si se comprueba el LoFlo Balometer® con un instrumento de velocidad como, por ejemplo, un tubo de Pitot/manómetro o termo-anemómetro, podría haber errores. Si se utiliza la velocidad estándar, la velocidad media deberá obtenerse tomando una travesía*. La exactitud de la travesía depende de la uniformidad del flujo, del número de lecturas que se han tomado, de la exactitud del instrumento de velocidad, y de la pericia del operador. Esta lectura de la velocidad media deberá entonces multiplicarse por el área sobre la cual se ha tomado la travesía.

Finalmente, la instrumentación del flujo de aire depende de las condiciones ambientales como la temperatura, la presión atmosférica, la humedad e, incluso, la turbulencia. Estas condiciones pueden tener diferentes efectos en los diversos tipos de instrumentos. Se deberá tener precaución al hacer comparaciones.

**Una travesía es un conjunto de lecturas de velocidades tomadas en una pauta determinada que proporcionarán el valor de la velocidad media una vez hecho el promedio. Para este propósito pueden utilizarse cualquiera de los instrumentos de medición de velocidad de Alnor.*

SECCION 10

Información Sobre Servicio

Servicio y Reparación

Sírvase devolver su Tarjeta de registro del producto inmediatamente. Esto nos permitirá enviarle recordatorios de servicio, ofertas especiales e información importante sobre su producto.

Antes de enviar el producto para su calibración o reparación, deberá llamar al Servicio de atención al cliente de TSI. El Departamento de servicio le proporcionará el valor del costo del servicio o de la calibración, el número de Autorización de devolución de material (RMA, por sus siglas en inglés) y las instrucciones de envío.

Sírvase tener la información siguiente disponible al realizar la llamada:

- Nombre del propietario, dirección y número de teléfono
- Dirección de envío de la factura, si fuera diferente y applicable
- Nombre del instrumento o modelo
- Número de serie
- Fecha de compra
- Lugar de compra

TSI le recomienda que mantenga un 'registro de calibración' y que guarde todos los documentos de servicio del instrumento.

Instrucciones de Devolución

Envíe el instrumento con el franqueo pre-pagado. Embale el instrumento con seguridad en un

contenedor resistente envuelto en, al menos, 2 pulgadas (5 cm) de material de protección contra golpes apropiado. Incluya la Orden de compra con el número de modelo del instrumento, el costo del servicio y/o calibración, y el número de Autorización de devolución de material (RMA). Marque el exterior del contenedor de envío con el número de RMA. Esto acelerará el procesamiento de su instrumento cuando lo recibamos.

Daños en Tránsito

Todos los pedidos son embalados cuidadosamente para su envío. Una vez recibido, si el contenedor de envío aparenta haber sido dañado durante su envío, el instrumento deberá ser inspeccionado meticulosamente. Los documentos de la compañía transportista deberán firmarse haciendo constar el daño aparente. **NO SE DESHAGA DE LA CAJA.**

Si el instrumento ha sufrido daños, el cliente deberá presentar una queja inmediatamente contra la compañía transportista. El agente vendedor asistirá al cliente proporcionando toda la información de envío pertinente; sin embargo, la reclamación deberá ser presentada por la parte asegurada. Si el instrumento está dañado sin remedio, se deberá hacer un nuevo pedido a TSI mientras se espera el reembolso por parte de la compañía transportista por el instrumento dañado.

Llame a TSI directamente si necesita asistencia.

APENDICE A

Factores de Ajuste para Nivel de Flujo Estándar a Nivel de Flujo Real

El LoFlo Balometer® mide el nivel de flujo volumétrico estándar. El flujo estándar se define como el nivel de flujo en condiciones normales, 70°F (21, 21°C) y 14,7 psia (29,92 inHg, 760 mmHg). El nivel de flujo real es el nivel volumétrico real de aire a la temperatura y presión barométrica local. Si desea conocer el nivel de flujo estándar, utilice la lectura que aparece en pantalla. Sin embargo, si desea conocer el nivel de flujo real, utilice la siguiente información:

Para cambiar de flujo de aire estándar a flujo de aire real, utilice la siguiente ecuación:

$$V_{act} = V_{std} \times CF$$

$$V_{act} = \text{Nivel de flujo real}$$

$$V_{std} = \text{Nivel de flujo estándar (la que aparece en pantalla)}$$

$$T_{act} = \text{Temperatura real}$$

$$P_{act} = \text{Presión barométrica real}$$

$$P_{std} = \text{Densidad estándar } 0/075 \text{ lb/ft}^3 \text{ (a } 70^\circ\text{F y } 14,7 \text{ psia)}$$

$$P_a = \text{Densidad real en lb/ft}^3$$

$$CF = P_{std}/P_a \text{ (Factor de ajuste)}$$

Al utilizar las ecuaciones o la gráfica que se ilustra más adelante, podrá pasar por alto el cómputo de densidad total.

Cómputos en unidades inglesas

$$CF = (14,7/P_{act}) \times (460 + T_{act}) / 530$$

Donde P_{act} aparece en psia y T_{act} aparece en °F

Cómputos en unidades inglesas

$$CF = (29,92/P_{act}) \times (460 + T_{act}) / 530$$

Donde P_{act} aparece en inHg y T_{act} aparece en °F

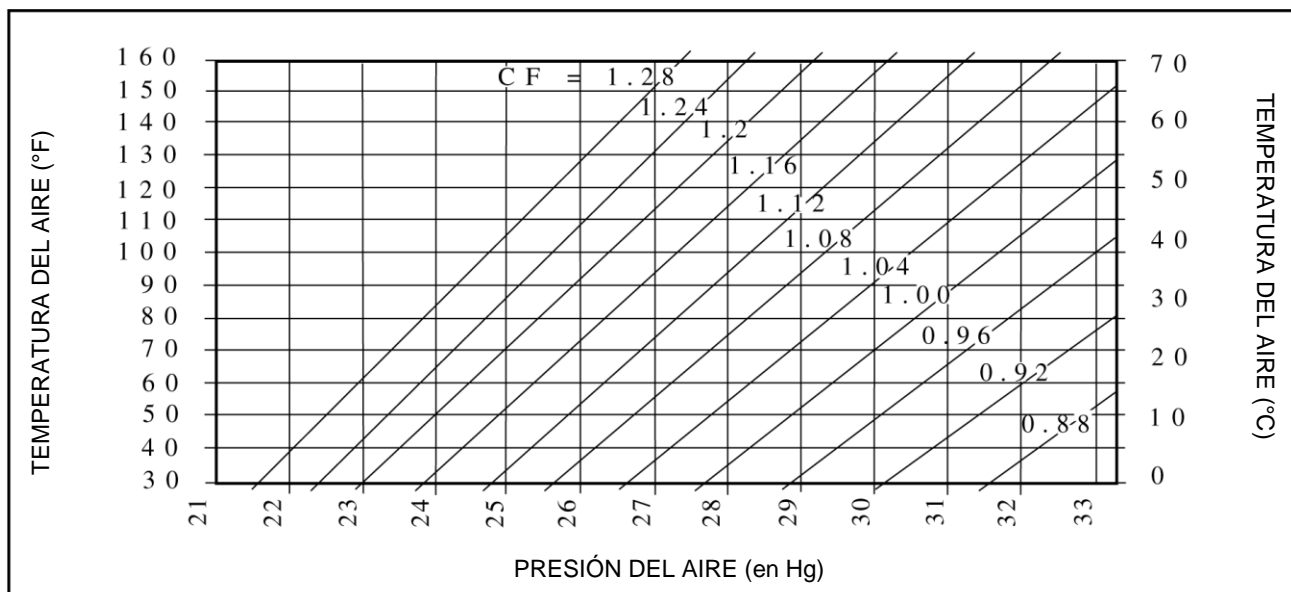
Cómputos en unidades métricas

$$CF = (760/P_{act}) \times (273,15 + T_{act}) / 294,25$$

Donde P_{act} aparece en mmHg y T_{act} aparece en C

Para mayor conveniencia, hemos dibujado una gráfica a modo de determinar el factor de ajuste dada la temperatura y la presión.

➤ **NOTA:** La presión atmosférica de acuerdo al Servicio Nacional de Meteorología ha sido ajustada al nivel del mar y no puede utilizarse si las mediciones no se encuentran a dicho nivel.



LoFlo Balometer® con cubierta de 16 x 16 pulgadas.

LIMITE DE GARANTÍA Y RESPONSABILIDAD

(EFECTIVO DESDE ABRIL DE 2014)

(Específicos de cada país los términos y condiciones fuera de los EE.UU., por favor visite www.tsi.com.)

El Vendedor garantiza que los productos que aquí se venden, a excepción del software, no tienen defectos de material y mano de obra, siempre que se realice un uso normal y se realice el mantenimiento descrito en el manual del operario, durante un periodo de veinticuatro (24) meses o menos, o el tiempo que se especifique en el manual del operario, a partir de la fecha de envío al cliente. Este periodo de garantía incluye cualquier garantía legal. Esta garantía limitada queda sujeta a las exclusiones y excepciones siguientes:

- a. Los sensores de alambre caliente o de película caliente que se utilizan con anemómetros de investigación, y algunos otros componentes así indicados en las especificaciones, tienen una garantía de 90 días desde su envío;
- b. Las bombas tienen una garantía según el número de horas de operación que se especifican en el manual del producto o del operario;
- c. Las piezas que se reparen o sustituyan durante el mantenimiento tienen una garantía de defectos o mano de obra, bajo un uso normal, de 90 días desde la fecha de envío;
- d. El Vendedor no ofrece ninguna garantía sobre productos terminados fabricados por otros o sobre fusibles, baterías u otros materiales consumibles. Solo será de aplicación la garantía del fabricante;
- e. Esta garantía no cubre los requerimientos de calibración y el Vendedor únicamente garantiza que el instrumento o producto está adecuadamente calibrado en el momento de su fabricación. Los instrumentos enviados de vuelta para su calibración no están cubiertos por esta garantía;
- f. Esta garantía es NULA si el instrumento es abierto por cualquier persona ajena al centro de servicio autorizado por la fábrica, con la única excepción de que los requerimientos descritos en el manual del operario permitan a un operador reemplazar el bien de consumo o realizar la limpieza recomendada;
- g. Esta garantía es NULA si el producto ha sido utilizado incorrectamente, negligentemente, sujeto a daños accidentales o intencionados o si no se instalara, mantuviera o limpiara adecuadamente conforme a los requerimientos descritos en el manual. Salvo que así se autorice específicamente en un escrito distinto por el Vendedor, el Vendedor no realiza ninguna garantía con respecto a, ni tendrá responsabilidad relacionada con, los productos que se incorporen en otros productos o equipos, o que modifique cualquier tercero distinto del Vendedor.

Lo siguiente se establece **EN LUGAR DE** todas las demás garantías y queda sujeto a las **LIMITACIONES** que aquí se establecen. **EN LO QUE RESPECTA AL INCUMPLIMIENTO DEL VENDEDOR DE LA GARANTÍA IMPLÍCITA CONTRA INFRACCIONES, DICHA GARANTÍA SE LIMITA A RECLAMACIONES DE INFRACCIÓN DIRECTA Y EXCLUYE RECLAMACIONES DE INFRACCIONES CONTRIBUYENTES O INDUCIDAS. EL ÚNICO REMEDIO DEL COMPRADOR SERÁ LA DEVOLUCIÓN DEL PRECIO DE COMPRA, MENOS UN DESCUENTO POR USO Y DESGASTE RAZONABLES, O, A DISCRECIÓN DEL VENDEDOR, EL REEMPLAZO DE LOS PRODUCTOS POR PRODUCTOS NO INFRACTORES.**

HASTA DONDE LO PERMITA LA LEY, EL ÚNICO REMEDIO DEL USUARIO O COMPRADOR, Y EL LÍMITE DE RESPONSABILIDAD DEL VENDEDOR POR CUALQUIER PÉRDIDA, LESIÓN O DAÑO RELATIVO A LOS PRODUCTOS (INCLUYENDO LAS RECLAMACIONES BASADAS EN EL CONTRATO, NEGLIGENCIA, AGRAVIO, RESPONSABILIDAD ESTRUCTA U OTROS) SERÁ LA DEVOLUCIÓN DE LOS PRODUCTOS AL VENDEDOR Y EL REEMBOLSO DEL PRECIO DE COMPRA O, SI ASÍ LO ELIGIERA EL VENDEDOR, LA REPARACIÓN O SUSTITUCIÓN DE LOS PRODUCTOS. EN EL CASO DE SOFTWARE, EL VENDEDOR REPARARÁ O REEMPLAZARÁ EL SOFTWARE DEFECTUOSO O, SI ES INCAPAZ DE HACERLO, REEMBOLSARÁ EL PRECIO DE COMPRA DEL SOFTWARE. EN NINGÚN CASO EL VENDEDOR SERÁ RESPONSABLE POR PÉRDIDAS DE GANANCIAS, INTERRUPCIÓN DEL NEGOCIO O NINGÚN DAÑO ESPECIAL, INDIRECTO, RESULTANTE O FORTUITO. EL VENDEDOR NO SERÁ RESPONSABLE DE LOS COSTES O CARGOS POR MONTAJE, DESMONTAJE O NUEVOS MONTAJES. No se podrá ejecutar acción alguna, independientemente de su forma, contra el Vendedor, pasados 12 meses desde el suceso. Los productos devueltos bajo garantía a la fábrica del Vendedor serán a riesgo del Comprador, y si acaso, se devolverán a riesgo del Vendedor.

Se considera que el Comprador y todos los usuarios han aceptado esta LIMITACIÓN DE LA GARANTÍA Y RESPONSABILIDAD, que contiene la garantía completa y exclusiva del Vendedor. Esta LIMITACIÓN DE LA GARANTÍA Y RESPONSABILIDAD no podrá cambiarse, modificarse o dispensados sus términos, salvo que los firme por escrito un Responsable del Vendedor.

Política de servicios

Como sabemos que los aparatos que no funcionan o estén defectuosos son tan perjudiciales para TSI como para nuestros clientes, nuestra política de servicios está diseñada para dar una respuesta rápida a cualquier problema. Si se descubriera cualquier mal funcionamiento, rogamos contacte con su oficina comercial o representante más cercano o llame al departamento de atención al cliente en el (800) 874-2811 (EE. UU.) o (1) 651-490-2811 (internacional)

TABLE DES MATIÈRES

Section 1	Description Générale	31
Section 2	Principe de Fonctionnement	31
Section 3	Sécurité.....	32
Section 4	Préparation et Entreposage de l'Instrument	32
Section 5	Caractéristiques d’Affichage	34
Section 6	Mise en Marche	35
Section 7	Détails de Fonctionnement	35
Section 8	Dépannage	38
Section 9	Entretien	39
Section 10	Renseignements de Service.....	40
Annexe A	Facteurs de Correction Entre le Débit Normal et le Débit Réel	41

Fiche Technique Du Débitmètre LoFlo Balometer®

Plage:	17–850 m ³ /h ou 4,7–236 L/s (10–500 pi ³ /mn)	Plage:	0,1 L/s entre 4,7 et 9,9 L ³ /s (Alimentation 1 L/s entre 10 et 236 L/s ou Retour) 1 pi ³ /mn entre 10 et 500 pi ³ /mn
Précision:	±(3 % + 8,5 m ³ /h ou 2,4 L/s) ±(3 % + 5 pi ³ /mn)	Dimensions	haut. (base seul.): 394 mm (15,5 po)
Hauteur:	394 mm (15,5 po), base seul. 559 mm (22 po) avec hotte 406 mm 876 mm (34,5 po) avec hotte 610 mm	Hors Tout:	haut av. hotte 610 mm: 876 mm (34,5 po) haut av. hotte 406 mm: 559 mm (22 po) ouverture supér: 338 mm (13,3 po) dia.
Poids:	env. 2,7 kg (6 lb) avec hotte 2,1 kg (4,6 lb) base seul.	Bloc d'Alimentation:	4 piles C alcalines 1,5 V (nickel-cadmium en option)
Diamètre d'Ouverture de la Base:	338 mm (13,3 po) de diamètre	Durée des Piles:	10 heures minimum en utilisation constante
Dimensions de Hottes:	406 x 406 mm, 610 x 610 mm ou 650 x 650 mm (16 x 16 po, 24 x 24 po ou 26 x 26 po)		
Affichage:	affichage numérique 3+ chiffres, 11 mm (0,44 po) haut., avec affichage analogique simulé à 26 segments.		
Résolution/	1 m ³ /h entre 17 et 850 m ³ /h		*Spécifications peuvent subir des changements sans préavis

SECTION 1

Description Générale

Le débitmètre LoFlo Balometer® Alnor est un instrument compact capable de mesurer des niveaux très bas de débit d'air dans les systèmes CVC. Sa plage de mesure est entre 17 et 850m³/h ou entre 4,7 et 236L/s (10–500 pi³/mn). Le débitmètre LoFlo Balometer® affiche le volume d'air normal lorsqu'il est placé contre les diffuseurs, les registres ou les grilles d'alimentation ou de retour montés au plafond, au mur ou au plancher.

Le débitmètre LoFlo Balometer® est pourvu d'un mécanisme à événements qui réduit l'obstruction du courant d'air causée par l'instrument. Ce système à événements exclusif (brevet en instance) permet à cet

instrument compact de mesurer une vaste plage de débits. Il est préférable d'utiliser le débitmètre LoFlo Balometer® avec les événements fermés aux débits plus faibles, mais les débits plus élevés doivent être mesurés avec les événements ouverts afin de réduire les effets de résistance. On peut effectuer une mesure en deux points pour compenser l'effet de résistance à débit élevé de l'instrument.

Le débitmètre LoFlo Balometer® est alimenté par piles et peut être utilisé avec ou sans les hottes offertes en option. Il pèse un peu plus de 2,7kg avec une hotte de 610mm en place, ce qui réduit la fatigue de l'opérateur.

SECTION 2

Principe de Fonctionnement: Hottes de Captage et Détection par Anémomètre Thermique

À la sortie d'un diffuseur, l'air est capté dans la hotte ou dans la base et dirigé vers un collecteur. Le collecteur distribue la pression de vitesse et fait passer l'air sur les capteurs. La vitesse et la température de l'air passant dans le collecteur sont détectées selon le principe de l'anémomètre thermique à température constante. La tension de sortie de l'anémomètre thermique est alors calculée en fonction du débit total à l'intérieur du débitmètre LoFlo Balometer®.

Une hotte de captage est toujours susceptible d'engendrer des courbes de débit irrégulières. On peut considérer comme « irrégulière » toute courbe de débit différente de la courbe d'étalonnage. Des effets négatifs considérables peuvent découler de l'utilisation d'une hotte trop

grande par rapport au diffuseur comme, par exemple, une hotte de 610 x 610 mm (24 x 24 po) avec un diffuseur de 254 x 254 mm (10 x 10 po). Cela crée d'importantes zones de recirculation le long des côtés de la hotte de toile et engendre une courbe de débit irrégulière au passage dans le collecteur. Il est recommandé d'utiliser une hotte de dimensions équivalentes à celles du diffuseur.

► **NOTE:** *Pour simplifier le présent manuel, on a utilisé les unités « m³/h », L/s » et « pi³/mn ». Prière de noter, cependant, que le débitmètre LoFlo Balometer® affiche des valeurs en mètres cubes par heure standard—m³/h (std)—, en litres par seconde standard—L/s (std)—et en pieds cubes par minute standard—pi³/mn (std).*

SECTION 3


Sécurité

En utilisant le débitmètre LoFlo Balometer® pour contrôler le débit d'air de diffuseurs de plafond, s'assurer qu'il est possible d'élever et de maintenir l'appareil en toute sécurité pendant la mesure. Être particulièrement prudent en travaillant dans une échelle.

Prendre toutes les précautions nécessaires pour éviter d'accrocher l'appareil dans la machinerie en

mouvement ou de toucher des fils électriques exposés.

Le débitmètre LoFlo Balometer® n'est pas conçu pour les mélanges gazeux autres que l'air. L'utilisation en présence de mélanges gazeux corrosifs, explosifs ou autrement dangereux est contre-indiqué et aux risques de l'utilisateur.

	CAUTION
	<p>LORS DE L'UTILISATION DU LOFLO BALOMETER® POUR MESURER LE DÉBIT D'AIR DANS LES CONDUITES, VOUS POUVEZ ÊTRE EN CONTACT OU ÊTRE EXPOSÉ À DE LA POUSSIERE, DU POLLEN, DE LA MOISSURE, DES CHAMPIGNONS OU À D'AUTRES CONTAMINANTS TRANSPORTÉS DANS L'AIR. SI VOUS ÊTES POTENTIELLEMENT ALLERGIQUES À LA POUSSIERE, AU POLLEN, À LA MOISSURE, AUX CHAMPIGNONS OU À D'AUTRES CONTAMINANTS, UTILISER TOUJOURS UN MASQUE RESPIRATOIRE APPROPRIÉ PENDANT L'UTILISATION DE L'INSTRUMENT LOFLO BALOMETER®.</p>

SECTION 4

Préparation et Entreposage de l'Instrument

Préparation de la Hotte

1. Placer les quatre (4) canaux d'aluminium en carré, mousse vers le haut. Glisser l'ouverture en « U » sur l'extrémité de chaque canal (fig. 1) et du gousset de coin vers les oeilletons de laiton jusqu'au verrouillage.
2. Répéter avec les deux autres canaux pour obtenir un cadre carré solidement verrouillé aux quatre coins.
3. Sélectionner la hotte de dimensions appropriées pour le cadre assemblé.
4. Placer une couture d'angle de la hotte sur un coin du cadre. Étirer la hotte de nylon pour faire coïncider la couture et le coin adjacents.
5. Pousser le cordon élastique dans le canal le long du côté du cadre.
6. Répéter les étapes 4 et 5 jusqu'à ce que la hotte soit complètement assemblée et prête à monter sur la base.
7. Placer la hotte avec la base dans l'ouverture sur une table un plancher propre. Tirer la hotte autour de la base. Faire tourner la hotte jusqu'à ce que les coupelles métalliques soient alignées avec les goupilles à ressort.
8. Repérer les tiges de support de la hotte. Étirer la hotte jusqu'à ce qu'elle soit tendue et insérer une tige de support dans la goupille à ressort la plus proche.
9. Pousser la tige de support vers le bas et insérer le bout supérieur de la tige dans la coupelle sur le cadre de la hotte (fig. 1).
10. Installer la tige du côté opposé, puis installer les deux autres tiges.

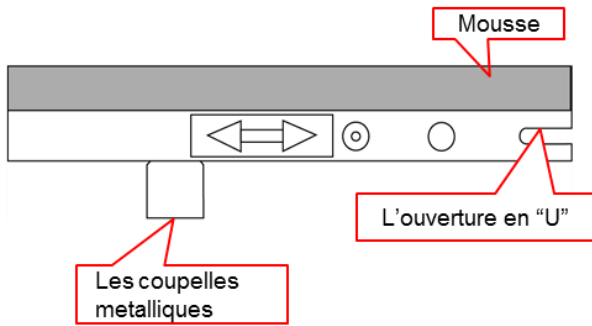


Figure 1
Canal du cadre de hotte

Entreposage de l'Instrument

La hotte et le cadre peuvent être déposés de la base de l'instrument et placés dans leur propre étui de transport, sans les démonter.

Le débitmètre LoFlo Balometer® doit toujours être mis hors tension avant le emballage. Avant d'entreposer le débitmètre LoFlo Balometer® pour une longue période, retirer les piles afin de prévenir les dommages dus aux fuites.

Installation des Piles

Pour installer les quatre piles C livrées avec le débitmètre LoFlo Balometer®.

1. S'assurer que l'interrupteur le balomètre Loflo Alnor est en position « OFF ».
2. Déposer le couvercle de piles situé sur le dessus de l'instrument.
3. Soulever le porte-piles jusqu'à ce que le connecteur à languette soit exposé.
4. Déposer le couvercle de piles situé sur le dessus de l'instrument.
5. Soulever le porte-piles jusqu'à ce que le connecteur à languette soit exposé.
6. Débrancher le porte-piles du débitmètre LoFlo Balometer®.
7. Installer les quatre piles C dans le porte-piles.
8. Rebrancher le connecteur à languette et glisser le porte-piles dans son logement.
9. Reposer le couvercle de piles.

SECTION 5

Caractéristiques d’Affichage

Cet affichage analogique est simulé au moyen de 26 segments DCL afin de donner à l'utilisateur la même réponse qu'un anémomètre mécanique. Il affiche également une valeur numérique exacte au moyen d'une section à affichage numérique 3+ chiffres. L'affichage DCL comporte des indicateurs d'alimentation, de retour, de sélection de plage manuelle, de mode de position d'évants et de piles faibles.

La figure 3 représente l'avant du débitmètre LoFlo Balometer®.

N° d'Index	Nom
1	Affichage DCL
2	Interrupteur
3	Bouton alimentation/retour
4	Bouton de sélection de plage manuelle
5	Bouton de poignée
6	Porte-piles
7	Évants
8	Glissière d'ouverture/fermeture d'évants

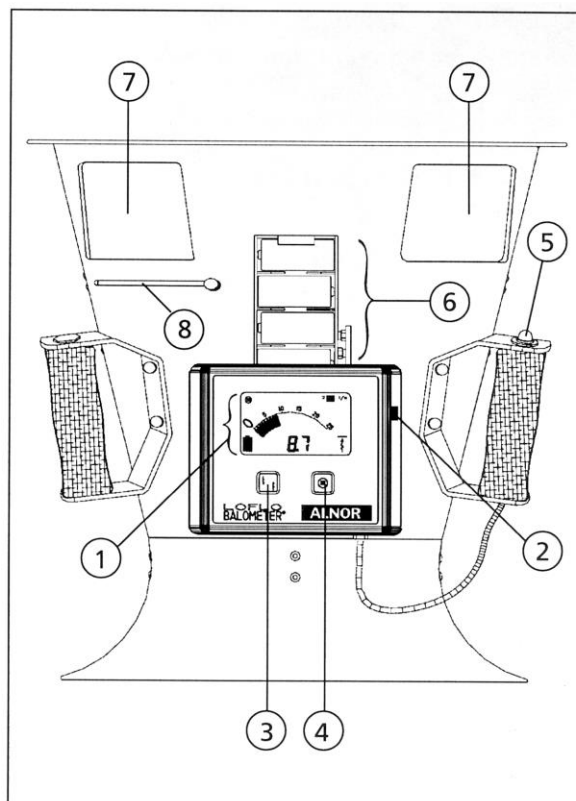


Figure 3
Vue frontale du débitmètre LoFlo Balometer®

La figure 4 représente l'affichage DCL.

N° d'Index	Nom/Description
1	Affichage numérique
2	Affichage analogique simulé
3	Indicateur sélection de plage manuelle
4	Indicateur alimentation/retour
5	Indicateur de mode en deux points
6	Indicateur de position d'évants
7	Indicateur d'unité de mesure
8	Indicateur de piles faibles

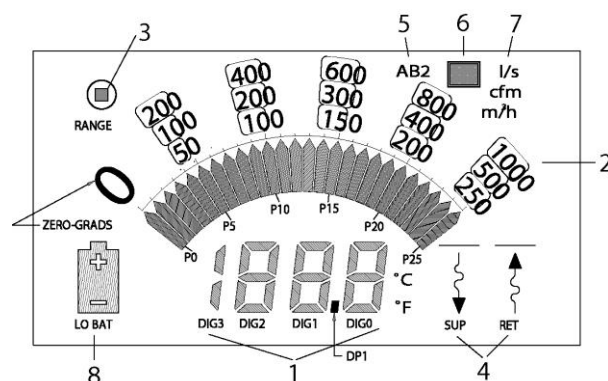


Figure 4
Pantalla LCD del LoFlo Balometer®

SECTION 6

Mise en Marche

- ➔ **NOTA:** Permettre à l'instrument de s'acclimater aux conditions ambiantes de la pièce afin d'obtenir la précision spécifiée.
1. Si l'appareil est utilisé avec une hotte, assembler le débitmètre LoFlo Balometer® tel que décrit à la section 4, Préparation et entreposage de l'instrument.
 2. Mettre l'appareil sous tension au moyen de l'interrupteur à glissière situé du côté droit.
 3. Lorsque le débitmètre LoFlo Balometer® est mis sous tension, l'indicateur d'événements fermés est affiché. Fermer les événements à la base en tournant le soufflet supérieur en sens antihoraire.
 4. Sélectionner le mode approprié selon le sens du courant d'air, alimentation ou retour.
 5. Placer le débitmètre LoFlo Balometer® au-dessus du diffuseur ou de la grille faisant l'objet de la mesure.
 6. La caractéristique de sélection de plage automatique du débitmètre LoFlo Balometer® choisit la plage appropriée et affiche le débit dans la section numérique. Une courte pression sur le bouton de poignée gèle l'affichage.
 7. Une seconde courte pression dégèle l'affichage.
 8. Pour les débits supérieurs à 255 m³/h ou 71 L/s (150 pi³/mn), il est recommandé d'utiliser le mode événements ouverts afin de réduire l'effet de résistance au courant d'air. Voir la section 7, [Détails de fonctionnement](#).
- ➔ **NOTE:** Vérifier qu'il n'existe aucun espace entre le débitmètre LoFlo Balometer® et la surface entourant le diffuseur ou la grille. S'assurer également d'éviter que le corps de l'utilisateur ou d'autres objets obstruent ou détournent le courant d'air à sa sortie (alimentation) ou à son entrée (retour). La lecture en serait affectée.
-

SECTION 7

Détails de Fonctionnement

Bouton de Poignée

En mode de mesure en un point, le bouton de poignée gèle l'affichage numérique et fait clignoter la valeur s'il est enfoncé pendant moins de trois secondes. Lorsque le bouton de poignée est enfoncé pendant plus de trois secondes, il fait passer le débitmètre LoFlo Balometer® du mode événements fermés au mode événements ouverts.

En mode de mesure en deux points, le bouton de poignée commande à l'instrument d'effectuer le processus de mesure en deux points. Voir les détails à la section sur le mode de mesure en deux points.

Bouton de Sélection de Plage Auto/Manuelle

À la mise sous tension, l'instrument est en mode de sélection de plage automatique. L'utilisateur peut passer en mode de sélection de plage

manuelle en appuyant sur le bouton de sélection de plage. L'indicateur de sélection de plage est alors affiché. En appuyant à nouveau sur le bouton de sélection de plage, l'afficheur de l'instrument passe à la plage de débit suivante. Pour revenir en mode de sélection de plage automatique, appuyer sur le commutateur de plage et le maintenir enfoncé jusqu'à la disparition de l'indicateur de sélection de plage manuelle.



Changement d'Unité de Mesure

Pour passer d'une unité de mesure à une autre:

1. Mettre l'instrument hors tension.
2. Appuyer sur le bouton alimentation/retour, le maintenir enfoncé et mettre l'instrument sous tension en même temps.
3. L'affichage fait clignoter l'une des trois unités de mesures disponibles : m³/h, L/s ou cfm (pi³/mn).

- Appuyer sur le bouton alimentation/retour ou sur le bouton de sélection de page et le maintenir enfoncé pour faire défiler les unités de mesure.
- Lorsque l'unité de mesure désirée est affichée, mettre l'instrument hors tension.
- En le remettant sous tension, l'unité choisie est affichée.

Bouton Alimentation/Retour


À la mise sous tension, le débitmètre LoFlo Balometer[®] est en mode alimentation, tel qu'indiqué sur l'affichage par le symbole d'alimentation . Pour effectuer une mesure de retour, appuyer sur le bouton alimentation/retour sur le tableau avant de l'instrument. Le mode retour est indiqué sur l'affichage par le symbole de retour .




Des erreurs importantes peuvent survenir si:

- L'instrument n'est pas en mode approprié;
- La hotte de toile n'est pas utilisée en mode événements ouverts.

Modes Événements Fermés/Événements Ouverts

À la mise sous tension, l'instrument est en mode événements fermés . Lorsque l'indicateur d'événements fermés est allumé, les événements doivent être fermés pour effectuer la mesure. Fermer les événements en desserrant la vis à oreilles et en faisant glisser le déflecteur d'événement en position complètement fermée, puis en verrouillant l'événement en place.

Le mode événements ouverts est indiqué sur l'affichage DCL par le symbole . Ouvrir les événements en desserrant la vis à oreilles et en faisant glisser le déflecteur d'événement en position complètement ouverte, puis en verrouillant l'événement en place. Ensuite, appuyer sur le bouton de poignée et le maintenir enfoncé pendant plus de trois secondes pour faire passer le débitmètre LoFlo Balometer[®] en mode événements ouverts.

Le mode événements ouverts est conçu pour les débits plus élevés de diffuseurs plus grands; une hotte de 610 x 610 mm (24 x 24 po) ou 650 x 650 mm (26 x 26 po) doit toujours être utilisée en mode événements ouverts.

Mode de Mesure en un Point

Le mode par défaut du débitmètre LoFlo Balometer[®] est le mode de mesure en un point. Si l'instrument est en mode de mesure en deux points, il suffit de le mettre hors tension, puis de le remettre sous tension.

Le mode de mesure en un point est décrit à la section intitulée Mise en marche, plus haut dans le présent manuel. C'est la façon la plus rapide et la plus simple d'effectuer des mesures.

Utiliser le mode événements fermés pour les mesures entre:

17 et 255 m³/h ou 4,7 et 71 L/s (10 et 150 pi³/mn).

➔ **NOTE:** En mode événements fermés, les débits inférieurs à 13 m³/h ou 3,6 L/s (8 pi³/mn) donnent une lecture de 0; les débits supérieurs à 879 m³/h ou 244 L/s (517 pi³/mn) donnent une lecture de Or.

Utiliser le mode événements ouverts pour les mesures entre:

255 et 850 m³/h ou 71 et 236 L/s (150 et 500 pi³/mn).

➔ **NOTE:** En mode événements ouverts, les débits inférieurs à 255 m³/h ou 71 L/s (150 pi³/mn) donnent une lecture de Ur; les débits supérieurs à 879 m³/h ou 244 L/s (517 pi³/mn) donnent une lecture de Or.

Mode de Mesure en Deux Points—Alimentation Seulement

Pour mettre en fonction le mode de mesure en deux points, mettre l'instrument hors tension. Tout en appuyant sur le bouton de poignée, remettre l'instrument sous tension. L'indicateur de mesure en deux points est affiché.

Le mode de mesure en deux points prend des mesures avec les événements ouverts et avec les événements fermés, afin de calculer un débit avec compensation de résistance.

Le processus commence avec les événements fermés et l'indicateur d'événements fermés affiché.

- Placer le débitmètre LoFlo Balometer[®] par-dessus le diffuseur faisant l'objet de la mesure et appuyer une fois sur le bouton de poignée pour effectuer la mesure avec événements fermés.
- L'instrument enregistre cette lecture.
- L'affichage montre ensuite l'indicateur d'événements ouverts, donc; ouvrir les volets.

➔ **NOTE:** Ne pas oublier d'utiliser une hotte de toile en mode de mesure en deux points.

4. Placer à nouveau le débitmètre LoFlo Balometer® par-dessus le diffuseur faisant l'objet de la mesure et appuyer sur le bouton de poignée pour effectuer la mesure avec événements ouverts.
5. L'instrument calcule et affiche la mesure compensée.
6. L'affichage numérique clignote; appuyer à nouveau sur le bouton de poignée et

l'instrument affiche l'indicateur d'événements fermés. Fermer les événements.

7. Revenir à l'étape 1 pour effectuer une nouvelle mesure avec compensation de résistance.

➔ **NOTE:** On peut revenir en tout temps au mode de mesure en un point en mettant l'appareil hors tension, puis sous tension.

Condition	Raison
La mesure avec événements fermés ou événements ouverts est inférieure à 255 m ³ /h ou 71 L/s (150 pi ³ /mn).	<ul style="list-style-type: none"> • Les calculs ne sont pas effectués au bas de la gamme, car l'effet est peu important et généralement négligeable. Utiliser le mode de mesure en un point.
La mesure avec événements fermés ou événements ouverts est supérieure à 850 m ³ /h ou 236 L/s (500 pi ³ /mn).	<ul style="list-style-type: none"> • Les calculs ne sont pas effectués au-delà de la plage de référence. Utiliser un balomètre Loflo Alnor standard ou électronique (plage: entre 85 et 3 400 m³/h ou 7,9 et 944 L/s (50 et 1 000 pi³/mn) ou effectuer un décalage latéral du système.
La différence de la mesure avec événements ouverts moins la mesure avec événements fermés est trop petite (<0).	<ul style="list-style-type: none"> • Une erreur s'est produite dans le processus. Reprendre la mesure en deux points. • L'effet de résistance est peu important et se perd dans les fluctuations naturelles. Utiliser le mode de mesure en un point.
La différence de la mesure avec événements ouverts moins la mesure avec événements fermés grande.	<ul style="list-style-type: none"> • Une erreur s'est produite dans le processus. Il est possible que les événements soient restés trop longtemps ouverts pendant la mesure avec événements fermés. Reprendre la mesure en deux points. • L'effet de résistance dépasse la portée de l'équation de compensation. Effectuer plutôt un décalage latéral du système.

➔ **NOTE:** L'affichage indique également « — » lorsque le mode retour est sélectionné. Le mode de mesure en deux points ne s'applique qu'à l'alimentation.

SECTION 8

Dépannage

Symptôme	Causes Possibles et Mesures Correctives
L'instrument ne peut être mis sous tension.	<ul style="list-style-type: none">• Le connecteur à languette du porte-piles n'est pas branché. Brancher le porte-piles à l'instrument.• Les piles peuvent être déchargées. Les charger ou les remplacer.• Défaillance d'interrupteur, de câblage ou de circuit. Contacter TSI.
L'instrument donne des lectures plus basses Position d'événements incorrecte. Sélectionner le que prévu.	<ul style="list-style-type: none">• Position d'événements incorrecte. Sélectionner le que mode approprié, événements ouverts ou événements fermés.• Mode de direction du courant d'air incorrect. Sélectionner le mode approprié, alimentation ou retour.• Les effets de contre-pression pourraient être importants. Utiliser le mode de mesure en deux points.• Cadre de hotte mal ajusté autour du diffuseur ou de la grille. Appuyer uniformément la hotte contre le diffuseur.• Présence d'une courbe de débit irrégulière. Effectuer un décalage latéral et utiliser un équilibrage proportionnel.• Hotte déchirée. Remplacer la hotte ou réparer la déchirure au moyen d'un ruban de toile ou d'un autre matériau non poreux.• Collecteur endommagé. Contacter TSI.• Étalonnage incorrect. Contacter TSI.
L'instrument donne des lectures plus	<ul style="list-style-type: none">• Position d'événements incorrecte. Sélectionner le mode approprié, événements ouverts ou événements fermés.• Mode de direction du courant d'air incorrect. Sélectionner le mode approprié, alimentation ou retour.• Présence d'une courbe de débit irrégulière. Effectuer un décalage latéral et utiliser un équilibrage proportionnel.• Étalonnage incorrect. Contacter TSI.
L'instrument n'indique pas zéro pour un débit de zéro.	<ul style="list-style-type: none">• L'instrument n'est pas à la température de la pièce. Le laisser s'acclimater avant de le mettre sous tension.• Le débitmètre LoFlo Balometer® mesure des courants d'air ambiants. Le placer sur le plancher et recouvrir le sommet d'un carton pour déterminer s'il mesure des courants d'air ambiants.• Étalonnage incorrect. Contacter TSI.
L'instrument affiche « Er ».	<ul style="list-style-type: none">• Échec de l'autotest. Contacter TSI.
Bouton de poignée inopérant.	<ul style="list-style-type: none">• Vérifier la connexion à la base de l'instrument. Contacter TSI.

SECTION 9

Entretien

Hottes

Les hottes peuvent être nettoyées dans de l'eau froide avec un détergent doux.

Collecteur de Détection

Le collecteur doit être inspecté visuellement avant l'utilisation afin de s'assurer que les orifices de captage ne sont pas obstrués par de la saleté ou des particules de poussière. NE JAMAIS immerger le collecteur dans l'eau. Il est recommandé de procéder au nettoyage avec beaucoup de soin lorsque le collecteur est en place. Ne pas utiliser de l'air à haute pression pour nettoyer les tubes du collecteur.

Étalonnage

Il est recommandé de retourner le débitmètre LoFlo Balometer® à l'usine chaque année pour une vérification de l'étalonnage. Pour expédier le débitmètre LoFlo Balometer® pour une vérification d'étalonnage à l'usine, l'emballer soigneusement et suivre les instructions de retour à l'usine plus loin dans le présent manuel.

Fonctionnement de l'Évent

Si le fonctionnement de l'évent se dégrade, enlever les deux vis à oreilles du mécanisme de l'évent et vaporiser du lubrifiant à la silicone sur les surfaces de contact. Essuyer l'excédent et réassembler le mécanisme de l'évent.

Vérification de Performance

Si l'étalonnage doit être vérifié, la meilleure façon consiste à utiliser un débitmètre de référence plus précis que le débitmètre LoFlo Balometer®. Les débitmètres de référence utilisables à cette fin comprennent les plaques à orifice, les venturis, les buses et les éléments à courant laminaire. Ces appareils nécessitent des instruments de précision pour mesurer la pression différentielle, la pression barométrique et la température, afin de mesurer le débit ponctuel ou normal.

Si le débitmètre LoFlo Balometer® est vérifié au moyen d'un instrument basé sur la vitesse, tel un manomètre / sonde à tube de Pitot ou un anémomètre thermique, il peut se produire des erreurs. Si un instrument de mesure basé sur la vitesse est utilisé, la vitesse moyenne doit être obtenue par décalage latéral.* L'exactitude de la mesure par décalage latéral dépend de l'uniformité du débit, du nombre de lectures prises, de la précision de l'instrument basé sur la vitesse et du savoir-faire de l'opérateur. Cette mesure de vitesse moyenne doit ensuite être multipliée par la surface mesurée par décalage latéral.

Enfin, les instruments de mesure de débit d'air sont influencés par les conditions environnementales comme la température, la pression atmosphérique, l'humidité et même la turbulence. Ces conditions peuvent avoir des effets très différents selon les divers types d'instruments. La prudence est de rigueur lorsqu'on effectue des comparaisons.

**Un décalage latéral est une série de mesures de vitesse effectuées selon un modèle déterminé, en vue d'indiquer une valeur globale de vitesse en fonction de la moyenne. Tous les instruments de mesure basés sur la vitesse d'Alnor peuvent être utilisés à cette fin.*

SECTION 10

Renseignements de Service

Service et Réparations

Prière de retourner sans délai votre carte d'enregistrement de produit, ce qui permettra à TSI de vous faire parvenir des rappels de service, des offres spéciales et des renseignements importants concernant votre produit.

Avant d'expédier votre instrument pour étalonnage ou pour réparation, il est préférable de téléphoner au Service à la clientèle d' TSI, qui vous communiquera le coût de la réparation ou de l'étalonnage, le numéro d'autorisation de retour de matériel (RMA) et les instructions de retour à l'usine.

Prière d'avoir les renseignements suivants sous la main lors de votre appel:

- Nom, adresse et numéro de téléphone du propriétaire
- Adresse de facturation, si différente et applicable
- Nom ou modèle de l'instrument
- Numéro de série
- Date d'achat
- Place d'achat

TSI vous recommande de tenir un « registre d'étalonnage » et de conserver tous les dossiers de service concernant votre instrument.

Instructions de Retour à l'Usine

Expédier l'instrument port payé. Emballer soigneusement l'instrument dans un contenant robuste, enveloppé d'au moins 5 cm (2 po) de matériel amortisseur approprié. Inclure le bon de commande indiquant le numéro de modèle de l'instrument, le coût du service et (ou) de l'étalonnage et le numéro d'autorisation de retour de matériel (RMA). Indiquer le numéro RMA au crayon feutre sur l'extérieur du contenant d'expédition, ce qui accélérera le traitement dès réception de votre instrument.

Dommages en Transit

Toutes les commandes sont soigneusement emballées avant l'expédition. Dès réception, si le contenant d'expédition semble avoir été endommagé pendant le transport, l'instrument doit être examiné avec soin. Indiquer les dommages apparents sur les documents du transporteur livreur avant de les signer. **NE PAS JETER LA BOÎTE.**

Si l'instrument a été endommagé, le client doit immédiatement présenter une réclamation au transporteur. L'agent vendeur aidera le client en fournissant tous les détails d'expédition pertinents; la réclamation, cependant, doit être déposée par l'assuré. Si l'instrument est endommagé au point d'être inutilisable, le client devrait passer une nouvelle commande auprès d' TSI en attendant d'être remboursé par le transporteur pour l'instrument endommagé.

Appeler TSI directement pour obtenir de l'aide, au besoin.

ANNEXE A

Facteurs de Correction Entre le Débit Normal et le Débit Réel

Le débitmètre LoFlo Balomètre® mesure le débit volumique normal. Le débit normal se définit en conditions normales, 21,1 °C (71 °F) et 14,7 lb/po² absolue ou 29,92 po Hg, 760 mmHg. Le débit réel est le débit d'air à la température et à la pression barométrique ambiantes. Pour obtenir le débit normal, utiliser la lecture affichée. Pour obtenir le débit réel, utiliser les données ci-dessous.

Pour convertir le débit normal en débit réel, utiliser l'équation suivante:

$$V_{\text{réel}} = V_{\text{norm}} \times \text{FC}$$

$$V_{\text{réel}} = \text{débit réel}$$

$$V_{\text{norm}} = \text{débit normal (affiché par l'instrument)}$$

$$T_{\text{réel}} = \text{température réelle}$$

$$P_{\text{réel}} = \text{pression barométrique réelle}$$

$$r_{\text{norm}} = \text{densité normale de } 0,127 \text{ m}^3/\text{h} \text{ (à } 21,1 \text{ °C et } 14,7 \text{ lb/po}^2\text{)}$$

$$r_a = \text{densité réelle en lb/m}^3$$

$$\text{FC} = r_{\text{norm}}/r_a \text{ (facteur de correction)}$$

En utilisant les équations ou le tableau ci-dessous, on peut éviter le calcul complet de la densité.

Calculs en unités métriques

$$\text{FC} = (760/r_{\text{réel}}) * (273,15 + T_{\text{réel}})/294,25$$

où $r_{\text{réel}}$ est en mm Hg et $T_{\text{réel}}$ est en °C

Calculs en unités impériales

$$\text{FC} = (14,7/r_{\text{réel}}) * (460 + T_{\text{réel}})/530$$

où $r_{\text{réel}}$ est en lb/po² absolue et $T_{\text{réel}}$ est en °F

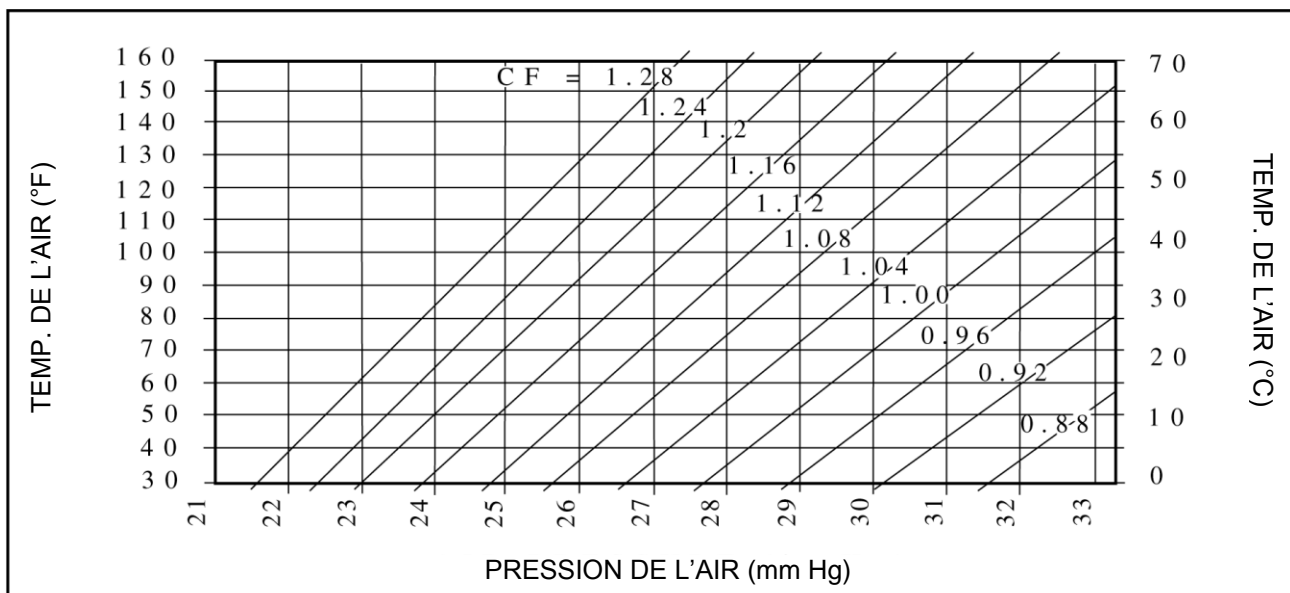
Calculs en unités impériales

$$\text{FC} = (29,92/r_{\text{réel}}) * (460 + T_{\text{réel}})/530$$

où $r_{\text{réel}}$ est en po Hg et $T_{\text{réel}}$ est en °F

Pour faciliter les calculs, nous avons préparé un tableau pour déterminer le facteur de correction en fonction de la température et de la pression.

➤ **NOTE:** La pression atmosphérique telle qu'indiquée par le National Weather Service (par le Service météorologique national) est en établie fonction du niveau de la mer et ne peut être utilisée si la mesure est effectuée à une altitude différente.



Le balomètre Loflo Alnor avec hotte de 610 x 610 mm.

LIMITATION DE GARANTIE ET DE RESPONSABILITÉ

(ENTREE EN VIGUEUR EN JUIN 2011)

(Pour chaque pays les modalités et conditions en dehors des Etats-Unis, s'il vous plaît visitez www.tsi.com.)

Le vendeur garantit que si les produits vendus dans le cadre des présentes sont utilisés et entretenus normalement, conformément aux indications de ce guide d'utilisation, ils ne présenteront aucun défaut de fabrication ou de composant pendant une période de **(24)** mois, ou toute autre durée applicable figurant dans le guide d'utilisation, à compter de la date d'expédition des produits au client. Cette période de garantie inclut toute période de garantie légale. Cette garantie limitée est par ailleurs formulée sous réserve des exclusions et des exceptions suivantes:

- a. Les capteurs à fil chaud ou à pellicule chaude utilisés avec les anémomètres de recherche, de même que certains autres composants indiqués dans les spécifications, sont garantis pendant 90 jours à compter de leur date d'expédition ;
- b. Les pompes sont garanties pour plusieurs heures d'utilisation comme indiqué dans les manuels de l'opérateur ou du produit ;
- c. Les pièces réparées ou remplacées dans le cadre d'une procédure de réparation appropriée, sont garanties contre les défauts de fabrication et de composants pendant 90 jours à partir de la date d'expédition du matériel réparé, sous réserve d'une utilisation dans des conditions normales ;
- d. Le vendeur n'offre aucune garantie concernant les produits finis fabriqués par d'autres ni de garantie couvrant les fusibles, les piles et les autres consommables. Seule la garantie originale du fabricant s'applique ;
- e. À moins d'une autorisation spécifique en ce sens dans un document écrit du vendeur, le vendeur n'offre aucune garantie et décline toute responsabilité concernant les produits incorporés dans d'autres produits ou équipements, ou qui sont modifiés par toute autre personne que le vendeur.

Les éléments susmentionnés **REMPLENT** toute autre garantie et sont soumis aux **LIMITATIONS** indiquées.

CONCERNANT L'INFRACTION DU VENDEUR À LA GARANTIE IMPLICITE CONTRE TOUTE INFRACTION, LADITE GARANTIE EST LIMITÉE AUX PLAINTES POUR INFRACTION DIRECTE ET EXCLUT LES PLAINTES POUR INFRACTIONS INDUITES OU CONTRIBUTIVES. LE SEUL RECOURS DE L'ACHETEUR SERA LE RETOUR DU PRIX D'ACHAT AVEC REMISE POUR UNE USURE SUFFISANTE OU À LA DISCRÉTION DU VENDEUR, LE REMPLACEMENT DES PRODUITS PAR DES PRODUITS NON COUPABLES D'INFRACTION.

SOUS RÉSERVE DES LOIS EN VIGUEUR, LES SEULS RECOURS À LA DISPOSITION DE L'UTILISATEUR OU DE L'ACHETEUR, AINSI QUE LES LIMITES DE RESPONSABILITÉ DU VENDEUR CONCERNANT TOUTES PERTES, BLESSURES OU DOMMAGES ASSOCIÉS AUX PRODUITS (COMPRENANT LES RÉCLAMATIONS BASÉES SUR UNE OBLIGATION CONTRACTUELLE, UNE NÉGLIGENCE, UN PRÉJUDICE, UNE RESPONSABILITÉ STRICTE OU AUTRE) NE PEUVENT ALLER AU-DELÀ DU RETOUR DES PRODUITS AU VENDEUR SUIVI D'UN REMBOURSEMENT DE LEUR PRIX D'ACHAT OU, À LA DISCRÉTION DU VENDEUR, DE LA RÉPARATION OU DU REMPLACEMENT DES PRODUITS. DANS LE CAS D'UN LOGICIEL, LE VENDEUR RÉPARERA OU REMPLACERA LE LOGICIEL DÉFECTUEUX OU S'IL EST INCAPABLE DE LE FAIRE, REMBOURSE LE PRIX D'ACHAT DU LOGICIEL. LE VENDEUR NE PEUT SOUS AUCUNE CIRCONSTANCE ÊTRE TENU RESPONSABLE DES MANQUES À GAGNER OU DE QUELQUE DOMMAGE SPÉCIAL, ACCESSOIRE OU INDIRECT. LE VENDEUR DÉCLINE TOUTE RESPONSABILITÉ ENVERS D'ÉVENTUELS COÛTS OU FRAIS D'INSTALLATION, DE DÉMONTAGE OU DE RÉINSTALLATION. Aucune action légale ne peut être intentée contre le vendeur, sous quelque forme que ce soit, au-delà d'un délai de 12 mois après la cause de l'action. Les produits retournés sous garantie à l'usine du vendeur seront envoyés aux risques de l'acheteur et seront retournés à ce dernier par le vendeur au risque du vendeur.

Il sera considéré que l'acheteur et tous les utilisateurs ont accepté ce document de LIMITATION DE GARANTIE ET DE RESPONSABILITÉ, lequel contient l'intégralité de la garantie limitée exclusive du vendeur. Ce document de LIMITATION DE GARANTIE ET DE RESPONSABILITÉ ne peut être amendé, modifié ou faire l'objet d'une renonciation de droit quelconque autrement que par écrit avec la signature d'un dirigeant du vendeur.

Politique de service après-vente

Sachant que des instruments défectueux ou ne fonctionnant pas correctement sont préjudiciables à TSI et à ses clients, notre politique de service après-vente a été conçue pour résoudre rapidement tous les problèmes. Si un dysfonctionnement est constaté, veuillez prendre contact avec votre antenne commerciale ou représentant le plus proche, ou appelez le service clients au (800) 874-2811 (États-Unis) ou (1) 651-490-2811 (autres pays).

LOFLO BALOMETER®

Specifications*

Range:	10–500 cfm (17–850 m ³ /h) (4.7–236 l/s)	Display:	3.5 digit, .44 in. (11 mm) high, digital display with 26 segment simulated analog display
Accuracy:	±(3% + 5 cfm) [±(3% + 8,5 m ³ /h, 2,4 l/s)]	Resolution	1 cfm from 10–500 cfm (Supply or 0.1 l/s from 4.7 to 9.9 Return) 1 l/s from 10 to 236 l/s
Height:	15.5 in., base only (394 mm) 22 in., with 16 x 16 hood (559 mm) 34.5 in., with 2 x 2 hood (876 mm)	Power Source:	4C 1.5V alkaline batteries (optional Nickel Cadmium)
Weight:	about 6 lbs (2.7 kg) with hood 4.6 lbs (2.1 kg) base only	Battery Life:	10 hrs. minimum with continuous use
Base Diameter Opening:	13.3 in. diameter (338 mm)		
Hood sizes:	16 x 16 in., 2 x 2 ft., or 26 x 26 in. (406 x 406 mm, 610 x 610 mm, or 650 x 650 mm)		

*Specifications subject to change without notice.



Alnor Products, TSI Incorporated

Visit our website www.alnor.com for more information.

USA **Tel:** +1 800 874 2811
India **Tel:** +91 80 67877200

China **Tel:** +86 10 8219 7688
Singapore **Tel:** +65 6595 6388

P/N 116-620-001 Rev. 09

©1998–2016 TSI Incorporated

Printed in U.S.A.

